

EANCOM[®] 2002 S4

INSDES

Instruction to despatch message

Edition 2016

| | |
|----------------------------------|----|
| 1. Introduction..... | 2 |
| 2. Message Structure Chart | 4 |
| 3. Branching Diagram..... | 5 |
| 4. Segments Description | 9 |
| 5. Segments Layout..... | 12 |
| 6. Example(s) | 54 |

1. Introduction

Status

MESSAGE TYPE : INSDDES
REFERENCE DIRECTORY : D.01B
EANCOM® SUBSET VERSION : 003

Definition

A message from a party to another party who has control over ordered goods, providing instructions to despatch or collect a consignment according to conditions specified in the message.

Principles

The instruction to despatch message may be sent from a supplier or buyer to a third party service provider.

The message may be used to identify at a complete message level or at a line item level;

- the delivery location(s);
- the date(s) on which delivery(s) should take place;
- etc.

Usually the Instruction to Despatch message will be sent following a Cargo/Goods Handling and Movement message which was used to prepare goods for despatch.

The Instruction to Despatch message must not be used to order transport services for the despatch of the goods. The Transport Instruction message must be used for this purpose.

Buyer to Supplier

The Instruction to Despatch message may be used by a buyer to inform his seller to release the despatch of goods previously ordered. In addition the message may be used to instruct the seller to hold the despatch of goods which have been previously reported as being ready for despatch.

Buyer or Supplier to Third Party Service Provider.

When the message is sent from a supplier or a buyer to a third party service provider it may be used to request the service provider to despatch or collect specified goods and identify the delivery location(s), identify the date(s) on which delivery should take place, indicate that the despatch is subject to cash on delivery, etc.

Because the third party service provider is outside the normal buyer to supplier order process, the instruction to despatch message may be used by the supplier or buyer to inform the third party service provider of information stated in the purchase order which is required for the effective despatch of the goods, e.g. terms of delivery, transport equipment required for the delivery; to enable the logistic service provider to produce a despatch advice on behalf of the buyer or supplier.

If the same product is to be delivered to different locations then the LIN segment group (group 10) should be repeated with each delivery location specified in the NAD segment in group 12.

The identification of items to be despatched.

Within the instruction to despatch message, items to be despatched may be identified using either a GTIN or an EAN.UCC Serial Shipping Container Code (SSCC). The following rules of thumb should be used to decide which method of identification should be used and also how to apply the method in the message;

1. Global Trade Item Number (GTIN).

Article numbers should be used to identify despatch units which contain products which are packaged in pre-defined configurations and which have fixed attributes which have normally been specified in a Price/Sales Catalogue. An example of such a product could be a case of 24 tins of peas which costs 3 dollars a case.

1. Introduction

Article numbers should be specified in the LIN segment. If required additional article numbers (e.g. promotional numbers), or other numbers (e.g. harmonised system numbers) may be provided in the PIA segment in conjunction with the appropriate qualifiers. When article numbers are provided in the LIN segment the GIN segment (in group 10) **MUST NOT** be used.

The GIN segment in segment group 13 (PCI-GIN) may only be used when article numbers have been provided in the LIN segment. This segment may be used to provide, for information purposes, SSCC's marked on the product packaging. **This segment may not be used if the GIN segment in segment group 10 has been used.**

2. EAN.UCC Serial Shipping Container Code (SSCC).

SSCC's should be used to identify configurations of products for packaging purposes. An example of such a configuration could be a pallet containing three different products made up of 5 cases of beans, 12 cases of coffee, and 8 cases of orange juice. Each product on the pallet is identified individually by its own article number but the total pallet is identified using an SSCC, a code which exists only for the life time of the pallet.

SSCC's should be specified in the GIN segment in segment group 10. Additional identity numbers (e.g. harmonised system numbers) may be provided in the PIA segment in conjunction with the correct qualifiers. When the GIN segment (in group 10) is being used to provide SSCC's for identification purposes **the GIN segment in group 13 should not be used and only data element 1082 in the LIN segment may be used.**

| Primary Id | LIN | PIA | GIN (Group 10) | GIN (Group 13) |
|----------------|--------------|-----|----------------|----------------|
| Article Number | Y | Y | N | Y |
| SSCC | ONLY DE 1082 | Y | Y | N |

2. Message Structure Chart

Instruction To Despatch Heading Section

| | | | | |
|-----|----|---|---|----------------------------------|
| UNH | 1 | M | 1 | - Message header |
| BGM | 2 | M | 1 | - Beginning of message |
| DTM | 3 | M | 9 | - Date/time/period |
| FTX | 4 | C | 9 | - Free text |
| SG1 | | C | 9 | - RFF-DTM |
| RFF | 5 | M | 1 | - Reference |
| DTM | 6 | C | 9 | - Date/time/period |
| SG2 | | C | 9 | - NAD-LOC-SG3-SG4 |
| NAD | 7 | M | 1 | - Name and address |
| LOC | 8 | C | 9 | - Place/location identification |
| SG3 | | C | 9 | - RFF |
| RFF | 9 | M | 1 | - Reference |
| SG4 | | C | 9 | - CTA-COM |
| CTA | 10 | M | 1 | - Contact information |
| COM | 11 | C | 9 | - Communication contact |
| SG5 | | C | 9 | - TOD-LOC |
| TOD | 12 | M | 1 | - Terms of delivery or transport |
| LOC | 13 | C | 9 | - Place/location identification |
| SG6 | | C | 9 | - TDT |
| TDT | 14 | M | 1 | - Details of transport |
| SG8 | | C | 9 | - EQD-MEA |
| EQD | 15 | M | 1 | - Equipment details |
| MEA | 16 | C | 9 | - Measurements |

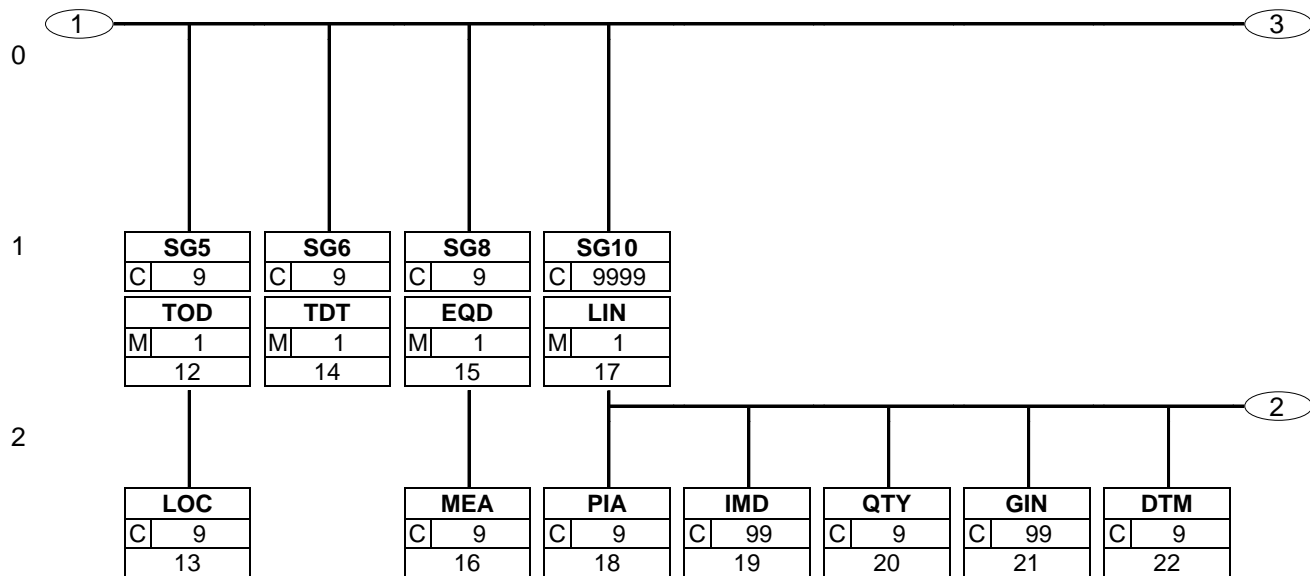
Instruction To Despatch Detail Section

| | | | | |
|------|----|---|------|--|
| SG10 | | C | 9999 | - LIN-PIA-IMD-QTY-GIN-DTM-FTX-MOA-SG11-SG12-SG13 |
| LIN | 17 | M | 1 | - Line item |
| PIA | 18 | C | 9 | - Additional product id |
| IMD | 19 | C | 99 | - Item description |
| QTY | 20 | C | 9 | - Quantity |
| GIN | 21 | C | 99 | - Goods identity number |
| DTM | 22 | C | 9 | - Date/time/period |
| FTX | 23 | C | 9 | - Free text |
| MOA | 24 | C | 99 | - Monetary amount |
| SG11 | | C | 9 | - RFF-DTM |
| RFF | 25 | M | 1 | - Reference |
| DTM | 26 | C | 1 | - Date/time/period |
| SG12 | | C | 99 | - NAD-LOC |
| NAD | 27 | M | 1 | - Name and address |
| LOC | 28 | C | 99 | - Place/location identification |
| SG13 | | C | 9999 | - PCI-GIN |
| PCI | 29 | M | 1 | - Package identification |
| GIN | 30 | C | 9 | - Goods identity number |

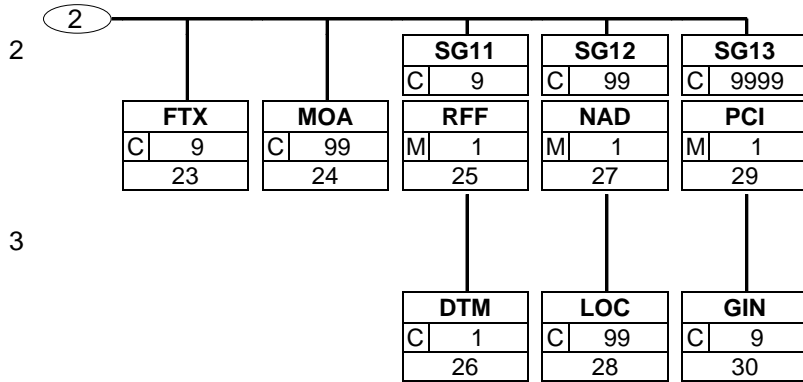
Instruction To Despatch Summary Section

| | | | | |
|-----|----|---|----|-------------------|
| UNS | 31 | M | 1 | - Section control |
| MOA | 32 | C | 99 | - Monetary amount |
| CNT | 33 | C | 9 | - Control total |
| UNT | 34 | M | 1 | - Message trailer |

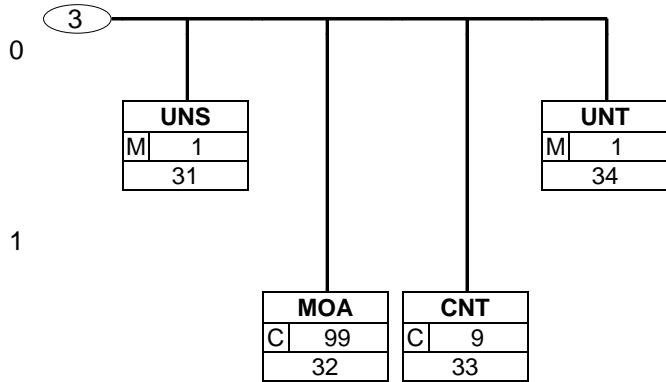
3. Branching Diagram



3. Branching Diagram



3. Branching Diagram



4. Segments Description

Instruction To Despatch Heading Section

| | |
|------------------|--|
| UNH - M 1 | - Message header This segment is used to head, identify and specify a message. |
| BGM - M 1 | - Beginning of message This segment is used to indicate the type and function of a message and to transmit the identifying number. |
| DTM - M 9 | - Date/time/period This segment is used to specify any dates applicable to the complete instruction to despatch message. |
| FTX - C 9 | - Free text This segment is used to provide free form or coded text information related to the entire message. |
| SG1 - C 9 | - RFF-DTM A group of segments giving references where necessary, their dates relating to the whole message, e.g. contract number. |
| RFF - M 1 | - Reference This segment is used to specify references relating to the instruction to despatch. |
| DTM - C 9 | - Date/time/period This segment is used to specify any dates related to the previous RFF segment. |
| SG2 - C 9 | - NAD-LOC-SG3-SG4 A group of segments identifying names, addresses, locations, and references relevant to the identified parties used for the whole message. |
| NAD - M 1 | - Name and address This segment is used to identify the trading partners involved in the instruction to despatch message. Identification of the supplier/third party service provider and the ordering party is mandatory in the instruction to despatch. Identification of the delivery party is mandatory at line level if the delivery party has not been previously identified in the NAD segment at heading level. |
| LOC - C 9 | - Place/location identification This segment is used to identify a precise delivery location at the premises of the party identified in the NAD segment. |
| SG3 - C 9 | - RFF A group of segments giving references relevant only to the specified party rather than the whole message. |
| RFF - M 1 | - Reference This segment is used to specify references related to the party identified in the previous NAD segment. |
| SG4 - C 9 | - CTA-COM A group of segments to identify the people, functions, departments and appropriate numbers to whom communication should be directed. |
| CTA - M 1 | - Contact information This segment is used to identify contact departments and persons within the party specified in the NAD segment. |
| COM - C 9 | - Communication contact This segment identifies the communications number and type of communications, for the person or department identified in the preceding CTA segment. |

4. Segments Description

| | |
|------------------|--|
| SG5 - C 9 | <p>- TOD-LOC</p> <p>A group of segments indicating terms of delivery. The terms of delivery will be required by a third party service provider in order to arrange delivery according to the terms agreed in the order.</p> |
| TOD - M 1 | <p>- Terms of delivery or transport</p> <p>This segment is used to specify the terms of delivery for the instruction to despatch message.</p> |
| LOC - C 9 | <p>- Place/location identification</p> <p>This segment is used to indicate the location to which the terms of delivery apply.</p> |
| SG6 - C 9 | <p>- TDT</p> <p>A group of segments specifying details of the mode and means of transport relevant to the whole Instruction to Despatch message. The transport details will be required by a third party service provider in order to arrange delivery according to the terms agreed in the order.</p> |
| TDT - M 1 | <p>- Details of transport</p> <p>This segment is used to specify transport services required by the message sender to despatch the products.</p> |
| SG8 - C 9 | <p>- EQD-MEA</p> <p>A group of segments providing information relative to the equipment used for the transportation of goods relevant to the whole Instruction to Despatch message. The equipment details will be required by a third party service provider in order to arrange delivery according to the terms agreed in the order.</p> |
| EQD - M 1 | <p>- Equipment details</p> <p>This segment is used to provide information on equipment which will be required by the message sender to despatch the products ordered.</p> |
| MEA - C 9 | <p>- Measurements</p> <p>This segment is used to specify physical measurements, dimensions or number of pieces of the equipment described in the EQD segment.</p> |

Instruction To Despatch Detail Section

| | |
|----------------------|---|
| SG10 - C 9999 | <p>- LIN-PIA-IMD-QTY-GIN-DTM-FTX-MOA-SG11-SG12-SG13</p> <p>A group of segments providing details of individual line items for which Instruction to Despatch message information is being provided.</p> |
| LIN - M 1 | <p>- Line item</p> <p>This segment is used to identify the line item for which instructions for despatch are being provided.</p> |
| PIA - C 9 | <p>- Additional product id</p> <p>This segment is used to identify additional product codes for the current line item.</p> |
| IMD - C 99 | <p>- Item description</p> <p>This segment is used to describe the current line item. Data element 7008 in clear text should only be used when no product code is available or when free-form descriptions are required by trading partners.</p> |
| QTY - C 9 | <p>- Quantity</p> <p>This segment is used to specify quantity information related to the current line item.</p> |
| GIN - C 99 | <p>- Goods identity number</p> <p>This segment is used to provide SSCC codes for identification purposes only. If used, this segment may be repeated only once per occurrence of segment group 10 (LIN) to provide the SSCC as the primary means of identification.</p> |
| DTM - C 9 | <p>- Date/time/period</p> <p>This segment is used to specify dates related to the current line item only.</p> |

4. Segments Description

| | | |
|----------------------|---------------------------------|--|
| FTX - C 9 | - Free text | This segment is used to provide free form or coded text information related to the line item. |
| MOA - C 99 | - Monetary amount | This segment is used to specify monetary values related to the current line item, e. g., cash on delivery amount. |
| SG11 - C 9 | - RFF-DTM | A group of segments to give reference numbers and dates related to the current line item. |
| RFF - M 1 | - Reference | This segment is used to specify any references which apply to the current line item only. References provided here override those provided in the heading section of the message when the same qualifier is used. |
| DTM - C 1 | - Date/time/period | This segment is used to specify dates related to the references provided in the previous RFF segment. |
| SG12 - C 99 | - NAD-LOC | A group of segments providing party information related to the current line item and where relevant, additional locations within the party. |
| NAD - M 1 | - Name and address | This segment is used to identify parties relevant to the current line item only. Identification of the delivery party is mandatory at line level if the delivery party has not been previously identified in the NAD segment at heading level. |
| LOC - C 99 | - Place/location identification | This segment is used to identify the precise location of delivery for the current line item. |
| SG13 - C 9999 | - PCI-GIN | A group of segments identifying the marks and numbers on the package for the current line item. |
| PCI - M 1 | - Package identification | This segment is used to provide markings and labels information relevant to the product identified in the LIN segment. |
| GIN - C 9 | - Goods identity number | This segment is used to provide identification numbers marked on the packaging of the current line item. |

Instruction To Despatch Summary Section

| | | |
|------------|-------------------|---|
| UNS - M 1 | - Section control | This segment is used to identify the break between the message detail and summary sections. |
| MOA - C 99 | - Monetary amount | This segment is used to specify total monetary values relevant to the complete message, e.g. total cash on delivery amount. |
| CNT - C 9 | - Control total | This segment is used to provide message control information for checking on the message receiver's in-house system. |
| UNT - M 1 | - Message trailer | This segment is used to end and check the completeness of a message. |

5. Segments Layout

This section describes each segment used in the EANCOM® Instruction To Despatch message. The original EDIFACT segment layout is listed. The appropriate comments relevant to the EANCOM® subset are indicated.

Notes:

1. The segments are presented in the sequence in which they appear in the message. The segment or segment group tag is followed by the (M)andatory / (C)onditional indicator, the maximum number of occurrences and the segment description.
2. Reading from left to right, in column one, the data element tags and descriptions are shown, followed by in the second column the EDIFACT status (M or C), the field format, and the picture of the data elements. These first pieces of information constitute the original EDIFACT segment layout.

Following the EDIFACT information, EANCOM® specific information is provided in the third, fourth, and fifth columns. In the third column a status indicator for the use of (C)onditional EDIFACT data elements (see 2.1 through 2.3 below), in the fourth column the restricted indicator (see point 3 on the following page), and in the fifth column notes and code values used for specific data elements in the message.

- 2.1 (M)andatory data elements in EDIFACT segments retain their status in EANCOM®.
- 2.2 Additionally, there are five types of status for data elements with a (C)onditional EDIFACT status, whether for simple, component or composite data elements. These are listed below and can be identified when relevant by the following abbreviations:

| | | |
|-------------|----------|--|
| - REQUIRED | R | Indicates that the entity is required and must be sent. |
| - ADVISED | A | Indicates that the entity is advised or recommended. |
| - DEPENDENT | D | Indicates that the entity must be sent in certain conditions, as defined by the relevant explanatory note. |
| - OPTIONAL | O | Indicates that the entity is optional and may be sent at the discretion of the user. |
| - NOT USED | N | Indicates that the entity is not used and should be omitted. |

- 2.3 If a composite is flagged as **N, NOT USED**, all data elements within that composite will have blank status indicators assigned to them.
3. Status indicators detailed in the fourth column which directly relate to the code values detailed in the fifth **column** may have two values:

| | | |
|--------------|---|---|
| - RESTRICTED | * | A data element marked with an asterisk (*) in the fourth column indicates that the listed codes in column five are the only codes available for use with this data element, in this segment, in this message. |
| - OPEN | | All data elements where coded representation of data is possible and a restricted set of code values is not indicated are open (no asterisk in fourth column). The available codes are listed in the EANCOM® Data Elements and Code Sets Directory. Code values may be given as examples or there may be a note on the format or type of code to be used. |

4. Different colours are used for the code values in the segment details: restricted codes are in red and open codes in blue.

5. Segments Layout

Segment number: 1

| UNH - M 1 - Message header | | | | | |
|---|---|----------|-----|---|--|
| Function: | | | | | |
| To head, identify and specify a message. | | | | | |
| Notes: | | | | | |
| 1. Data element S009/0057 is retained for upward compatibility. The use of S016 and/or S017 is encouraged in preference. | | | | | |
| 2. The combination of the values carried in data elements 0062 and S009 shall be used to identify uniquely the message within its group (if used) or if not used, within its interchange, for the purpose of acknowledgement. | | | | | |
| | | EDIFACT | GS1 | * | Description |
| 0062 | Message reference number | M an..14 | M | | Senders unique message reference. Sequence number of the messages in the interchange. DE 0062 in the UNT will be identical. Sender generated. |
| S009 | MESSAGE IDENTIFIER | M | M | | |
| 0065 | Message type | M an..6 | M | * | INSDDES = Instruction to despatch message |
| 0052 | Message version number | M an..3 | M | * | D = Draft version/UN/EDIFACT Directory |
| 0054 | Message release number | M an..3 | M | * | 01B = Release 2001 - B |
| 0051 | Controlling agency, coded | M an..3 | M | * | UN = UN/CEFACT |
| 0057 | Association assigned code | C an..6 | R | * | EAN003 = GS1 version control number (GS1 Permanent Code) Indicates that the message is the EANCOM version 003 of the UNSM Instruction to Despatch message. |
| 0110 | Code list directory version number | C an..6 | O | | This data element can be used to identify the codelist agreed by the interchange partners, e.g. EAN001 = EANCOM 2002 S4 codelist released on 01.12.2002 by GS1. |
| 0113 | Message type sub-function identification | C an..6 | N | | |
| 0068 | Common access reference | C an..35 | N | | |
| S010 | STATUS OF THE TRANSFER | C | N | | |
| 0070 | Sequence of transfers | M n..2 | | | |
| 0073 | First and last transfer | C a1 | | | |
| S016 | MESSAGE SUBSET IDENTIFICATION | C | N | | |
| 0115 | Message subset identification | M an..14 | | | |
| 0116 | Message subset version number | C an..3 | | | |
| 0118 | Message subset release number | C an..3 | | | |
| 0051 | Controlling agency, coded | C an..3 | | | |
| S017 | MESSAGE IMPLEMENTATION GUIDELINE IDENTIFICATION | C | N | | |
| 0121 | Message implementation guideline identification | M an..14 | | | |
| 0122 | Message implementation guideline version number | C an..3 | | | |
| 0124 | Message implementation | C an..3 | | | |

5. Segments Layout

Segment number: 1

| | EDIFACT | GS1 | * | Description |
|-------------------------------------|----------|----------|---|-------------|
| guideline release number | | | | |
| 0051 Controlling agency, coded | C an..3 | | | |
| S018 SCENARIO IDENTIFICATION | C | N | | |
| 0127 Scenario identification | Man..14 | | | |
| 0128 Scenario version number | C an..3 | | | |
| 0130 Scenario release number | C an..3 | | | |
| 0051 Controlling agency, coded | C an..3 | | | |

Segment Notes:

This segment is used to head, identify and specify a message.

DE's 0065, 0052, and 0054: Indicates that the message is a UNSM Instruction to Despatch message based on the EDIFACT D.01B directory.

Example:

UNH+ME000001+INSDES:D:01B:UN:EAN003'

5. Segments Layout

Segment number: 2

| BGM - M 1 - Beginning of message | | | | | |
|---|-----------------------------------|----------|-----|---------------|--|
| Function: To indicate the type and function of a message and to transmit the identifying number. | | | | | |
| | | EDIFACT | GS1 | * Description | |
| C002 | DOCUMENT/MESSAGE NAME | C | R | | |
| 1001 | Document name code | C an..3 | R | * | 297 = Instruction to collect 240 = Delivery instructions 350 = Despatch order |
| 1131 | Code list identification code | C an..17 | N | | |
| 3055 | Code list responsible agency code | C an..3 | N | | |
| 1000 | Document name | C an..35 | O | | |
| C106 | DOCUMENT/MESSAGE IDENTIFICATION | C | R | | |
| 1004 | Document identifier | C an..35 | R | | Instruction to despatch number assigned by the document sender. For global unique identification of documents Global Document Type Identifier (GDTI) is available. |
| 1056 | Version identifier | C an..9 | N | | |
| 1060 | Revision identifier | C an..6 | N | | |
| 1225 | Message function code | C an..3 | R | * | 1 = Cancellation 5 = Replace 9 = Original 31 = Copy 42 = Confirmation via specific means The message function coded, is a critical data element in this segment. It applies to all data indicated in the message. The following definitions apply for the restricted codes: 1 = Cancellation - An entire previous instruction to despatch is being cancelled. Only the mandatory segments in the message along with the NAD segments identifying the sender and recipient need to be re-transmitted. Identification of the previously sent message should take place in the RFF segment in group 1. 5 = Replace - The current message cancels and replaces a previously sent instruction to despatch message. Identification of the previously sent message should take place in the RFF segment in group 1. 9 = Original - The original transmission of an instruction to despatch. 31 = Copy - A copy of an instruction to despatch which is sent to a third party for information purposes. 42 = Confirmation via other means - A confirmation of a previous instruction to despatch sent by means other than EDI, e.g, fax. |
| 4343 | Response type code | C an..3 | N | | |
| Segment Notes: This segment is used to indicate the type and function of a message and to transmit the identifying number. | | | | | |

5. Segments Layout

Segment number: 2

All references other than the document number DE 1004 are to be put in the RFF segment.

Example:

BGM+350+31041+9'

5. Segments Layout

Segment number: 3

| DTM - M 9 - Date/time/period | | | | | |
|--|--|----------|-----|---|--|
| Function: To specify date, and/or time, or period. | | | | | |
| | | EDIFACT | GS1 | * | Description |
| C507 | DATE/TIME/PERIOD | M | M | | |
| 2005 | Date or time or period function code qualifier | Man..3 | M | * | 2 = Delivery date/time, requested 10 = Shipment date/time, requested 63 = Delivery date/time, latest 64 = Delivery date/time, earliest 69 = Delivery date/time, promised for 76 = Delivery date/time, scheduled for 137 = Document/message date/time |
| 2380 | Date or time or period value | C an..35 | R | | |
| 2379 | Date or time or period format code | C an..3 | R | | 102 = CCYYMMDD 203 = CCYYMMDDHHMM 719 = CCYYMMDDHHMM- CCYYMMDDHHMM |
| <p>Segment Notes:</p> <p>This segment is used to specify any dates applicable to the complete instruction to despatch message. DE 2005: Identification of the 'Document/message date/time' (code value 137) is mandatory in an EANCOM message.</p> <p>Example: DTM+137:19941201:102'</p> | | | | | |

5. Segments Layout

Segment number: 4

| FTX - C 9 - Free text | | | | | |
|--|-----------------------------------|-----------|-----|---|---|
| Function: To provide free form or coded text information. | | | | | |
| | | EDIFACT | GS1 | * | Description |
| 4451 | Text subject code qualifier | M an..3 | M | | BLR = Transport document remarks DEL = Delivery information DSI = Information to be printed on despatch advice (GS1 Temporary Code) |
| 4453 | Free text function code | C an..3 | O | | 1 = Text for subsequent use |
| C107 | TEXT REFERENCE | C | D | | This composite is only used when trading partners have agreed to use mutually defined code values. |
| 4441 | Free text value code | Man..17 | M | | |
| 1131 | Code list identification code | C an..17 | O | | |
| 3055 | Code list responsible agency code | C an..3 | D | | 9 = GS1 91 = Assigned by supplier or supplier's agent 92 = Assigned by buyer or buyer's agent |
| C108 | TEXT LITERAL | C | D | | This composite is only used if coded text can not be used. |
| 4440 | Free text value | Man..512 | M | | |
| 4440 | Free text value | C an..512 | O | | |
| 4440 | Free text value | C an..512 | O | | |
| 4440 | Free text value | C an..512 | O | | |
| 4440 | Free text value | C an..512 | O | | |
| 3453 | Language name code | C an..3 | D | | ISO 639 two alpha code This data element is only used when non coded free text has been provided in data element C108. |
| 4447 | Free text format code | C an..3 | N | | |

Segment Notes:

This segment is used to provide free form or coded text information related to the entire message. Use of this segment in free form is not recommended since it may inhibit automatic processing of the instruction to despatch message. Coded references to standard texts is an available functionality which enables automatic processing and reduces transmission overheads. Standard texts should be mutually defined between trading partners and can be used to cover legal or other requirements.

Example:
 FTX+DEL+1+001::91'
 Code "001" is agreed to express = 'Please note change to carrier from previous order'

FTX+DEL+++CASH ON DELIVERY'

5. Segments Layout

Segment number: 5

| SG1 | - C | 9 - RFF-DTM | | | |
|--|------------------------------|---------------|-----|---|---|
| RFF | - M | 1 - Reference | | | |
| Function: To specify a reference. | | | | | |
| | | EDIFACT | GS1 | * | Description |
| C506 | REFERENCE | M | M | | |
| 1153 | Reference code qualifier | Man..3 | M | | AAJ = Delivery order number AAN = Delivery schedule number AAU = Despatch note number CNE = Consolidated reference number (GS1 Temporary Code) CT = Contract number CU = Consignor's reference number ECN = External consolidation reference number (GS1 Temporary Code) ERC = External recap reference number (GS1 Temporary Code) HN = Handling and movement reference number (GS1 Temporary Code) IDR = Instruction to despatch reference number (GS1 Temporary Code) IP = Import licence number ON = Order number (buyer) RCE = Recap number (GS1 Temporary Code) When data element 1225 in the BGM segment is used with the code values '1, Cancellation' or '5, Replace' then the code value 'IDR' must be included to provide a link with a previous instruction to despatch. |
| 1154 | Reference identifier | C an..70 | R | | |
| 1156 | Document line identifier | C an..6 | N | | |
| 4000 | Reference version identifier | C an..35 | N | | |
| 1060 | Revision identifier | C an..6 | N | | |
| Segment Notes: This segment is used to specify references relating to the instruction to despatch. Example: RFF+CT:52114' | | | | | |

5. Segments Layout

Segment number: 6

| SG1 | - C | 9 - RFF-DTM | | | |
|--|--|----------------------|---|-------------|---------------------------|
| DTM | - C | 9 - Date/time/period | | | |
| Function: | | | | | |
| To specify date, and/or time, or period. | | | | | |
| | EDIFACT | GS1 | * | Description | |
| C507 | DATE/TIME/PERIOD | M | M | | |
| 2005 | Date or time or period function code qualifier | Man..3 | M | * | 171 = Reference date/time |
| 2380 | Date or time or period value | C an..35 | R | | |
| 2379 | Date or time or period format code | C an..3 | R | | 102 = CCYYMMDD |
| Segment Notes: | | | | | |
| This segment is used to specify any dates related to the previous RFF segment. | | | | | |
| Example: | | | | | |
| DTM+171:20020115:102' | | | | | |

5. Segments Layout

Segment number: 7

| SG2 | - C | 9 - NAD-LOC-SG3-SG4 | | |
|--|---|----------------------|----------|--|
| NAD | - M | 1 - Name and address | | |
| Function: | | | | |
| To specify the name/address and their related function, either by C082 only and/or unstructured by C058 or structured by C080 thru 3207. | | | | |
| | EDIFACT | GS1 | * | Description |
| 3035 | Party function code qualifier | M an..3 | M | |
| | | | | BY = Buyer DP = Delivery party IV = Invoicee LSP = Logistic Service Provider (GS1 Temporary Code) OB = Ordered by SU = Supplier WH = Warehouse keeper |
| C082 | PARTY IDENTIFICATION DETAILS | C | A | |
| 3039 | Party identifier | Man..35 | M | For identification of parties it is recommended to use GLN - Format n13. |
| 1131 | Code list identification code | C an..17 | N | |
| 3055 | Code list responsible agency code | C an..3 | R | * |
| | | | | 9 = GS1 |
| C058 | NAME AND ADDRESS | C | O | This composite may only be used to fulfill the requirements of directive 2003/58/EC, article 4. |
| 3124 | Name and address description | Man..35 | M | |
| 3124 | Name and address description | C an..35 | O | |
| 3124 | Name and address description | C an..35 | O | |
| 3124 | Name and address description | C an..35 | O | |
| 3124 | Name and address description | C an..35 | O | |
| C080 | PARTY NAME | C | D | |
| 3036 | Party name | Man..35 | M | Party Name in clear text. |
| 3036 | Party name | C an..35 | O | |
| 3036 | Party name | C an..35 | O | |
| 3036 | Party name | C an..35 | O | |
| 3036 | Party name | C an..35 | O | |
| 3045 | Party name format code | C an..3 | O | |
| C059 | STREET | C | D | |
| 3042 | Street and number or post office box identifier | Man..35 | M | Building Name/Number and Street |
| 3042 | Street and number or post office box identifier | C an..35 | O | Name and/or P.O. Box |
| 3042 | Street and number or post office box identifier | C an..35 | O | |
| 3042 | Street and number or post office box identifier | C an..35 | O | |
| 3164 | City name | C an..35 | D | City/Town, clear text. |
| C819 | COUNTRY SUB-ENTITY | C | D | |

5. Segments Layout

Segment number: 7

| | EDIFACT | GS1 | * | Description |
|---------|-----------------------------------|----------|---|---------------------------|
| DETAILS | | | | |
| 3229 | Country sub-entity name code | C an..9 | O | |
| 1131 | Code list identification code | C an..17 | O | |
| 3055 | Code list responsible agency code | C an..3 | O | |
| 3228 | Country sub-entity name | C an..70 | O | County/State, clear text. |
| 3251 | Postal identification code | C an..17 | D | Postal code |
| 3207 | Country name code | C an..3 | D | ISO 3166 two alpha code |

Segment Notes:

This segment is used to identify the trading partners involved in the instruction to despatch message. Identification of the supplier/third party service provider and the ordering party is mandatory in the instruction to despatch. Identification of the delivery party is mandatory at line level if the delivery party has not been previously identified in the NAD segment at heading level.

Example:

NAD+OB+5411234512309::9'
 NAD+LSP+5412345123453::9'

Dependency Notes:

The following composites and data elements are only used when a coded name and address can not be used.

The affected composites and data elements are as follows:

C080 - C059 - 3164 - C819 - 3251 - 3207

5. Segments Layout

Segment number: 8

| SG2 | - C | 9 - NAD-LOC-SG3-SG4 | | | |
|--|--|-----------------------------------|----------|-------------|---|
| LOC | - C | 9 - Place/location identification | | | |
| Function: | | | | | |
| To identify a place or a location and/or related locations. | | | | | |
| | EDIFACT | GS1 | * | Description | |
| 3227 | Location function code qualifier | M an..3 | M | * | 7 = Place of delivery |
| C517 | LOCATION IDENTIFICATION | C | A | | |
| 3225 | Location name code | C an..25 | A | | GLN - Format n13 |
| 1131 | Code list identification code | C an..17 | O | | |
| 3055 | Code list responsible agency code | C an..3 | D | | 9 = GS1 DE 3055 must be used if DE 3225 is used and does not contain an UN/LOCODE. |
| 3224 | Location name | C an..256 | O | | |
| C519 | RELATED LOCATION ONE IDENTIFICATION | C | O | | Specify ultimate delivery location, e.g. a specific delivery bay at a retailer. |
| 3223 | First related location name code | C an..25 | O | | Global Location Number GLN - Format n13 |
| 1131 | Code list identification code | C an..17 | O | | |
| 3055 | Code list responsible agency code | C an..3 | D | | 9 = GS1 DE 3055 must be used if DE 3223 is used and does not contain an UN/LOCODE. |
| 3222 | First related location name | C an..70 | O | | |
| C553 | RELATED LOCATION TWO IDENTIFICATION | C | N | | |
| 3233 | Second related location name code | C an..25 | | | |
| 1131 | Code list identification code | C an..17 | | | |
| 3055 | Code list responsible agency code | C an..3 | | | |
| 3232 | Second related location name | C an..70 | | | |
| 5479 | Relation code | C an..3 | N | | |
| Segment Notes: | | | | | |
| This segment is used to identify a precise delivery location at the premises of the party identified in the NAD segment. | | | | | |
| Example: LOC+7+5412345678908::9' | | | | | |

5. Segments Layout

Segment number: 9

| SG2 | - C | 9 - NAD-LOC-SG3-SG4 | | | |
|---|------------------------------|---------------------|-----|---|--|
| SG3 | - C | 9 - RFF | | | |
| RFF | - M | 1 - Reference | | | |
| Function: | | | | | |
| To specify a reference. | | | | | |
| | | EDIFACT | GS1 | * | Description |
| C506 | REFERENCE | M | M | | |
| 1153 | Reference code qualifier | Man..3 | M | * | YC1 = Additional party identification (GS1 Temporary Code) GN = Government reference number VA = VAT registration number |
| 1154 | Reference identifier | C an..70 | R | | |
| 1156 | Document line identifier | C an..6 | N | | |
| 4000 | Reference version identifier | C an..35 | N | | |
| 1060 | Revision identifier | C an..6 | N | | |
| Segment Notes: | | | | | |
| This segment is used to specify references related to the party identified in the previous NAD segment. | | | | | |
| Example: | | | | | |
| RFF+VA:6558774' | | | | | |

5. Segments Layout

Segment number: 10

| SG2 | - C | 9 - NAD-LOC-SG3-SG4 | | |
|---|----------------------------------|-------------------------|----------|--|
| SG4 | - C | 9 - CTA-COM | | |
| CTA | - M | 1 - Contact information | | |
| Function: | | | | |
| To identify a person or a department to whom communication should be directed. | | | | |
| | EDIFACT | GS1 | * | Description |
| 3139 | Contact function code | C an..3 | R | IC = Information contact |
| C056 | DEPARTMENT OR EMPLOYEE DETAILS | C | O | |
| 3413 | Department or employee name code | C an..17 | O | |
| 3412 | Department or employee name | C an..35 | O | |
| Segment Notes: | | | | |
| This segment is used to identify contact departments and persons within the party specified in the NAD segment. The use of Global Location Number GLN - Format n13 - is particularly suitable for this purpose. | | | | |
| Example: | | | | |
| CTA+IC+:W MILLS' | | | | |

5. Segments Layout

Segment number: 11

| SG2 | - C | 9 - NAD-LOC-SG3-SG4 | | |
|---|--------------------------------------|---------------------------|---|--|
| SG4 | - C | 9 - CTA-COM | | |
| COM | - C | 9 - Communication contact | | |
| Function: | | | | |
| To identify a communication number of a department or a person to whom communication should be directed. | | | | |
| | EDIFACT | GS1 | * | Description |
| C076 | COMMUNICATION CONTACT | M | M | |
| 3148 | Communication address identifier | Man..512 | M | |
| 3155 | Communication address code qualifier | Man..3 | M | EM = Electronic mail TE = Telephone AO = Uniform Resource Location (URL) |
| Segment Notes: | | | | |
| This segment identifies the communications number and type of communications, for the person or department identified in the preceding CTA segment. | | | | |
| Example: | | | | |
| COM+004461879523:FX' | | | | |

5. Segments Layout

Segment number: 12

| SG5 | - C | 9 - TOD-LOC | | | |
|--|--|------------------------------------|----------|---|---|
| TOD | - M | 1 - Terms of delivery or transport | | | |
| Function: | | | | | |
| To specify terms of delivery or transport. | | | | | |
| | | EDIFACT | GS1 | * | Description |
| 4055 | Delivery or transport terms function code | C an..3 | R | * | 4 = Collected by customer 6 = Delivery condition |
| 4215 | Transport charges payment method code | C an..3 | O | | DF = Defined by buyer and supplier |
| C100 | TERMS OF DELIVERY OR TRANSPORT | C | A | | Wenn INCOTERMS verwendbar sind, muss DE 3055 den Wert "9" enthalten und DE 1131 muss verwendet werden. |
| 4053 | Delivery or transport terms description code | C an..3 | R | | INCOTERMS (See EANCOM Codes Set) If INCOTERMS are applicable, then DE 3055 has to contain code value "9" and DE 1131 must be used. |
| 1131 | Code list identification code | C an..17 | D | | |
| 3055 | Code list responsible agency code | C an..3 | D | | 9 = GS1 |
| 4052 | Delivery or transport terms description | C an..70 | O | | |
| 4052 | Delivery or transport terms description | C an..70 | O | | |
| Segment Notes: | | | | | |
| This segment is used to specify the terms of delivery for the instruction to despatch message. | | | | | |
| Example: | | | | | |
| TOD+6++CIF:2E:9' | | | | | |
| Dependency Notes: | | | | | |
| Data elements 1131 and 3055 are only used if specific terms of delivery codes, which are outside those recommended by EDIFACT, are being used. | | | | | |

5. Segments Layout

Segment number: 13

| SG5 | - C | 9 - TOD-LOC | | | |
|---|-------------------------------------|-----------------------------------|----------|-------------|---|
| LOC | - C | 9 - Place/location identification | | | |
| Function: | | | | | |
| To identify a place or a location and/or related locations. | | | | | |
| | EDIFACT | GS1 | * | Description | |
| 3227 | Location function code qualifier | M an..3 | M | * | 1 = Place of terms of delivery |
| C517 | LOCATION IDENTIFICATION | C | A | | |
| 3225 | Location name code | C an..25 | A | | UN/LOCODES |
| 1131 | Code list identification code | C an..17 | O | | |
| 3055 | Code list responsible agency code | C an..3 | D | * | 6 = UN/ECE (United Nations - Economic Commission for Europe) DE 3055 must be used if DE 3225 is used and does not contain an UN/LOCODE. |
| 3224 | Location name | C an..256 | O | | |
| C519 | RELATED LOCATION ONE IDENTIFICATION | C | N | | |
| 3223 | First related location name code | C an..25 | | | |
| 1131 | Code list identification code | C an..17 | | | |
| 3055 | Code list responsible agency code | C an..3 | | | |
| 3222 | First related location name | C an..70 | | | |
| C553 | RELATED LOCATION TWO IDENTIFICATION | C | N | | |
| 3233 | Second related location name code | C an..25 | | | |
| 1131 | Code list identification code | C an..17 | | | |
| 3055 | Code list responsible agency code | C an..3 | | | |
| 3232 | Second related location name | C an..70 | | | |
| 5479 | Relation code | C an..3 | N | | |
| Segment Notes: | | | | | |
| This segment is used to indicate the location to which the terms of delivery apply. | | | | | |
| Example: LOC+1+ATSZG::6' | | | | | |

5. Segments Layout

Segment number: 14

| SG6 | - C | 9 - TDT | | | |
|---|--|--------------------------|----------|---|---|
| TDT | - M | 1 - Details of transport | | | |
| Function: | | | | | |
| To specify the transport details such as mode of transport, means of transport, its conveyance reference number and the identification of the means of transport. | | | | | |
| The segment may be pointed to by the TPL segment. | | | | | |
| | | EDIFACT | GS1 | * | Description |
| 8051 | Transport stage code qualifier | M an..3 | M | | 20 = Main-carriage transport |
| 8028 | Means of transport journey identifier | C an..17 | O | | Reference number covering the transport. |
| C220 | MODE OF TRANSPORT | C | A | | |
| 8067 | Transport mode name code | C an..3 | R | | 10 = 20 = 30 = 40 = 60 = |
| 8066 | Transport mode name | C an..17 | N | | |
| C228 | TRANSPORT MEANS | C | O | | Die Datenelemente 8179 und 8178 werden nur dann benutzt, wenn der Transporttyp explizit identifiziert werden muß, d.h. wenn eine allgemeine Beschreibung, wie Straßentransport, nicht geeignet ist. |
| 8179 | Transport means description code | C an..8 | D | | 23 = Rail bulk car 31 = Truck |
| 8178 | Transport means description | C an..17 | D | | |
| C040 | CARRIER | C | O | | |
| 3127 | Carrier identifier | C an..17 | A | | Global Location Number GLN - Format n13 |
| 1131 | Code list identification code | C an..17 | O | | |
| 3055 | Code list responsible agency code | C an..3 | D | | 9 = GS1 |
| 3128 | Carrier name | C an..35 | O | | |
| 8101 | Transit direction indicator code | C an..3 | N | | |
| C401 | EXCESS TRANSPORTATION INFORMATION | C | N | | |
| 8457 | Excess transportation reason code | M an..3 | | | |
| 8459 | Excess transportation responsibility code | M an..3 | | | |
| 7130 | Customer shipment authorisation identifier | C an..17 | | | |
| C222 | TRANSPORT IDENTIFICATION | C | N | | |
| 8213 | Transport means identification name identifier | C an..9 | | | |
| 1131 | Code list identification code | C an..17 | | | |
| 3055 | Code list responsible agency code | C an..3 | | | |

5. Segments Layout

| | | | | | |
|------|--------------------------------|----------|--|--|--|
| 8212 | Transport means identification | C an..35 | | | |
|------|--------------------------------|----------|--|--|--|

5. Segments Layout

Segment number: 14

| | EDIFACT | GS1 | * | Description |
|---|---------|-----|---|-------------|
| name | | | | |
| 8453 Transport means nationality code | C an..3 | | | |
| 8281 Transport means ownership indicator code | C an..3 | N | | |

Segment Notes:

This segment is used to specify transport services required by the message sender to despatch the products.

Example:

TDT+20++30+31'

Dependency Notes:

Data Elements 8179 and 8178 are only used when the type of transport must be specifically identified, that is, when a generic description such as road transport is unsuitable.

5. Segments Layout

Segment number: 15

| SG8 | - C | 9 - EQD-MEA | | | |
|---|--|-----------------------|----------|---|---|
| EQD | - M | 1 - Equipment details | | | |
| Function: | | | | | |
| To identify a unit of equipment. | | | | | |
| | | EDIFACT | GS1 | * | Description |
| 8053 | Equipment type code qualifier | M an..3 | M | | BPN = Box pallet non exchangeable CN = Container EFP = Exchangeable EUR flat pallet PA = Pallet UL = ULD (Unit load device) |
| C237 | EQUIPMENT IDENTIFICATION | C | O | | |
| 8260 | Equipment identifier | C an..17 | A | | |
| 1131 | Code list identification code | C an..17 | O | | |
| 3055 | Code list responsible agency code | C an..3 | D | | |
| 3207 | Country name code | C an..3 | O | | |
| C224 | EQUIPMENT SIZE AND TYPE | C | O | | |
| 8155 | Equipment size and type description code | C an..10 | O | | |
| 1131 | Code list identification code | C an..17 | O | | |
| 3055 | Code list responsible agency code | C an..3 | D | | |
| 8154 | Equipment size and type description | C an..35 | O | | |
| 8077 | Equipment supplier code | C an..3 | O | | 1 = Shipper supplied 2 = Carrier supplied |
| 8249 | Equipment status code | C an..3 | O | | |
| 8169 | Full or empty indicator code | C an..3 | O | | |
| Segment Notes: | | | | | |
| This segment is used to provide information on equipment which will be required by the message sender to despatch the products ordered. | | | | | |
| Example: EQD+UL+93221' | | | | | |

5. Segments Layout

Segment number: 16

| SG8 | - C | 9 - EQD-MEA | | | |
|--|------------------------------------|------------------|----------|---|---|
| MEA | - C | 9 - Measurements | | | |
| Function: | | | | | |
| To specify physical measurements, including dimension tolerances, weights and counts. | | | | | |
| | | EDIFACT | GS1 | * | Description |
| 6311 | Measurement purpose code qualifier | M an..3 | M | | AAE = Measurement PD = Physical dimensions (product ordered) |
| C502 | MEASUREMENT DETAILS | C | A | | |
| 6313 | Measured attribute code | C an..3 | A | | G = Gross weight HT = Height dimension LN = Length dimension T = Tare weight WD = Width dimension |
| 6321 | Measurement significance code | C an..3 | O | | 3 = Approximately 4 = Equal to |
| 6155 | Non-discrete measurement name code | C an..17 | O | | |
| 6154 | Non-discrete measurement name | C an..70 | N | | |
| C174 | VALUE/RANGE | C | R | | |
| 6411 | Measurement unit code | M an..3 | M | | KGM = kilogram MTR = metre |
| 6314 | Measurement value | C an..18 | O | | |
| 6162 | Range minimum value | C n..18 | O | | |
| 6152 | Range maximum value | C n..18 | O | | |
| 6432 | Significant digits quantity | C n..2 | O | | |
| 7383 | Surface or layer code | C an..3 | N | | |
| Segment Notes: | | | | | |
| This segment is used to specify physical measurements, dimensions or number of pieces of the equipment described in the EQD segment. | | | | | |
| To specify the number of pieces of equipment required, DE 6313 is used with code value AAE, DE 6411 with "PCE" and DE 6314 with the number of equipment. | | | | | |
| Example: | | | | | |
| MEA+AAE+AAB+KGM:1250' | | | | | |

5. Segments Layout

Segment number: 17

| SG10 | - C | 9999 - LIN-PIA-IMD-QTY-GIN-DTM-FTX-MOA-SG11-SG12-SG13 | | | |
|--|--|---|----------|-------------|---|
| LIN | - M | 1 - Line item | | | |
| Function: To identify a line item and configuration. | | | | | |
| | EDIFACT | GS1 | * | Description | |
| 1082 | Line item identifier | C an..6 | R | | Application generated number of the item lines within the instruction to despatch. |
| 1229 | Action request/notification description code | C an..3 | N | | |
| C212 | ITEM NUMBER IDENTIFICATION | C | D | | This composite is only used for the identification of GS1 articles codes. If another coding structure (other than serial shipping container codes) is required, e.g. harmonised system, this composite will not be used and the code will be detailed in the PIA segment. |
| 7140 | Item identifier | C an..35 | R | | Format n..14 GTIN- this is the number of the article being despatched. |
| 7143 | Item type identification code | C an..3 | R | * | SRV = GS1 Global Trade Item Number |
| 1131 | Code list identification code | C an..17 | N | | |
| 3055 | Code list responsible agency code | C an..3 | N | | |
| C829 | SUB-LINE INFORMATION | C | D | | |
| 5495 | Sub-line indicator code | C an..3 | R | | |
| 1082 | Line item identifier | C an..6 | R | | |
| 1222 | Configuration level number | C n..2 | N | | |
| 7083 | Configuration operation code | C an..3 | N | | |
| Segment Notes: | | | | | |
| <p>This segment is used to identify the line item for which instructions for despatch are being provided. If Global Trade Item Numbers are available it is mandatory to use GTIN within the LIN segment. Note: If the instruction to despatch is being provided for a full package (e.g. pallet) containing one or more products which have been allocated a serial shipping container code then only the line item number (data element 1082) should be provided in the LIN segment. The serial shipping container code to identify the full package should be specified in the GIN segment (number 21). Note: Should it be required to provide the SSCC marked on the packaging of the article identified in the LIN segment then the GIN segment in group 13 should be used.</p> | | | | | |
| <p>Example: LIN+1++5412345123453:SRV' Instruction to despatch the product identified by the global trade item number 5412345123453.</p> | | | | | |
| <p>LIN+2' No trade item number provided, serial shipping container code specified in the GIN segment at line level.</p> | | | | | |
| <p>Dependency Notes: C829 is only used when sub-lines are required. FOR A COMPLETE DESCRIPTION ON THE USAGE OF SUB-LINES PLEASE REFER TO PART I, SECTION 4.10.</p> | | | | | |

5. Segments Layout

Segment number: 18

| SG10 | - C | 9999 - LIN-PIA-IMD-QTY-GIN-DTM-FTX-MOA-SG11-SG12-SG13 | | | |
|---|--------------------------------------|---|----------|--|--|
| PIA | - C | 9 - Additional product id | | | |
| Function: To specify additional or substitutional item identification codes. | | | | | |
| | EDIFACT | GS1 | * | Description | |
| 4347 | Product identifier code qualifier | M an..3 | M | * | <p>1 = Additional identification 2 = Identification for potential substitution 4 = Substituted for 5 = Product identification</p> <p>Product Id function, has the following restricted coded functions: 1 = Additional Identification - To provide an additional identity for the primary global trade item number (GTIN) identified in the LIN segment. The additional code can consist of: A supplemental identification which provides more information complementary to the main trade item number provided in the LIN segment, e.g., a batch number, promotional variant number, etc, or an alternative identification which may be used instead of the main trade item number provided in the LIN segment, e.g., a buyer's article number, a harmonised system number, ect. 2 = Identification for potential substitution - To provide the number of a product which can substitute the product identified by the global trade item number provided in the LIN segment when the latter is temporarily unavailable, e.g. a similar or identical product coded with a different global trade item number (article coded in a different country), a different size of the same product, a similar product with for example a different brand name. 4 = Substituted for - To provide the number of a product which has been replaced by the global trade item number (GTIN) provided in the LIN segment. This information will be passed on to the delivery party in the Despatch Advice message. 5 - Product Identification - To provide the primary product identification code when no GTIN has been provided in the LIN segment.</p> |
| C212 | ITEM NUMBER IDENTIFICATION | M | M | | |
| 7140 | Item identifier | C an..35 | R | | |
| 7143 | Item type identification code | C an..3 | R | <p>NB = Batch number SA = Supplier's article number SN = Serial number SRV = GS1 Global Trade Item Number</p> | |
| 1131 | Code list identification code | C an..17 | O | | |
| 3055 | Code list responsible agency code | C an..3 | D | <p>9 = GS1 91 = Assigned by supplier or supplier's agent 92 = Assigned by buyer or buyer's agent</p> | |
| C212 | ITEM NUMBER IDENTIFICATION | C | O | | |
| 7140 | Item identifier | C an..35 | R | | |

5. Segments Layout

Segment number: 18

| | EDIFACT | GS1 | * | Description |
|--|----------|----------|---|-------------|
| 7143 Item type identification code | C an..3 | R | | |
| 1131 Code list identification code | C an..17 | O | | |
| 3055 Code list responsible agency code | C an..3 | D | | |
| C212 ITEM NUMBER IDENTIFICATION | C | O | | |
| 7140 Item identifier | C an..35 | R | | |
| 7143 Item type identification code | C an..3 | R | | |
| 1131 Code list identification code | C an..17 | O | | |
| 3055 Code list responsible agency code | C an..3 | D | | |
| C212 ITEM NUMBER IDENTIFICATION | C | O | | |
| 7140 Item identifier | C an..35 | R | | |
| 7143 Item type identification code | C an..3 | R | | |
| 1131 Code list identification code | C an..17 | O | | |
| 3055 Code list responsible agency code | C an..3 | D | | |
| C212 ITEM NUMBER IDENTIFICATION | C | O | | |
| 7140 Item identifier | C an..35 | R | | |
| 7143 Item type identification code | C an..3 | R | | |
| 1131 Code list identification code | C an..17 | O | | |
| 3055 Code list responsible agency code | C an..3 | D | | |

Segment Notes:

This segment is used to identify additional product codes for the current line item.

Examples :

PIA+1+ABF5682:SA'

In this example the PIA segment is used to provide an additional identification to the global trade item number (GTIN) provided in the LIN segment. The global trade item number (GTIN) 5412345123453 provided in the LIN segment refers to the internal supplier's article number ABF5682.

PIA+2+5412345000013:SRV'

This example details the fact that GTIN 5412345000013 is available as a substitute should the product identified in the LIN segment be unavailable.

PIA+4+5412345000013:SRV'

This example details the fact that the originally ordered GTIN 5412345000013 has been replaced by the GTIN provided in the LIN segment.

PIA+5+2209953C001L:AC'

This example details the HIBC code 2209953C001L which is provided as the primary product code because no GTIN was provided in the LIN segment.

5. Segments Layout

Segment number: 19

| SG10 | - C | 9999 - LIN-PIA-IMD-QTY-GIN-DTM-FTX-MOA-SG11-SG12-SG13 | | | |
|--|-----------------------------------|---|---|-------------|--|
| IMD | - C | 99 - Item description | | | |
| Function: | | | | | |
| To describe an item in either an industry or free format. | | | | | |
| | EDIFACT | GS1 | * | Description | |
| 7077 | Description format code | C an..3 | R | * | C = Code (from industry code list) F = Free-form B = Code and text |
| C272 | ITEM CHARACTERISTIC | C | O | | |
| 7081 | Item characteristic code | C an..3 | R | | |
| 1131 | Code list identification code | C an..17 | O | | |
| 3055 | Code list responsible agency code | C an..3 | D | * | 9 = GS1 Must be used if DE7081 contains an GS1 code. |
| C273 | ITEM DESCRIPTION | C | A | | |
| 7009 | Item description code | C an..17 | O | | CU = Consumer unit (GS1 Permanent Code) DU = Despatch unit (GS1 Permanent Code) TU = Traded unit (GS1 Permanent Code) VQ = Variable quantity product (GS1 Permanent Code) |
| 1131 | Code list identification code | C an..17 | O | | |
| 3055 | Code list responsible agency code | C an..3 | D | | 9 = GS1 91 = Assigned by supplier or supplier's agent 92 = Assigned by buyer or buyer's agent |
| 7008 | Item description | C an..256 | O | | |
| 7008 | Item description | C an..256 | O | | |
| 3453 | Language name code | C an..3 | O | | |
| 7383 | Surface or layer code | C an..3 | N | | |
| Segment Notes: | | | | | |
| This segment is used to describe the current line item. Data element 7008 in clear text should only be used when no product code is available or when free-form descriptions are required by trading partners. | | | | | |
| Example: | | | | | |
| IMD+C++TU::9' | | | | | |
| IMD+F+++::CORN CRISPIES:CASE' | | | | | |

5. Segments Layout

Segment number: 20

| SG10 | - C | 9999 - LIN-PIA-IMD-QTY-GIN-DTM-FTX-MOA-SG11-SG12-SG13 | | |
|--|------------------------------|---|---|---|
| QTY | - C | 9 - Quantity | | |
| Function: To specify a pertinent quantity. | | | | |
| | EDIFACT | GS1 | * | Description |
| C186 | QUANTITY DETAILS | M | M | |
| 6063 | Quantity type code qualifier | Man..3 | M | 21 = Ordered quantity 113 = Quantity to be delivered |
| 6060 | Quantity | Man..35 | M | |
| 6411 | Measurement unit code | C an..3 | D | KGM = kilogram This DE is only used if the product being identified is of variable quantity. |
| Segment Notes: This segment is used to specify quantity information related to the current line item. Example: QTY+113:400' | | | | |

5. Segments Layout

Segment number: 21

| SG10 | - C | 9999 - LIN-PIA-IMD-QTY-GIN-DTM-FTX-MOA-SG11-SG12-SG13 | | | |
|--|---|---|---|-------------|--|
| GIN | - C | 99 - Goods identity number | | | |
| Function: | | | | | |
| To give specific identification numbers, either as single numbers or ranges. | | | | | |
| | EDIFACT | GS1 | * | Description | |
| 7405 | Object identification code qualifier | M an..3 | M | * | BJ = Serial shipping container code |
| C208 | IDENTITY NUMBER RANGE | M | M | | |
| 7402 | Object identifier | M an..35 | M | | |
| 7402 | Object identifier | C an..35 | N | | |
| C208 | IDENTITY NUMBER RANGE | C | N | | |
| 7402 | Object identifier | M an..35 | | | |
| 7402 | Object identifier | C an..35 | | | |
| C208 | IDENTITY NUMBER RANGE | C | N | | |
| 7402 | Object identifier | M an..35 | | | |
| 7402 | Object identifier | C an..35 | | | |
| C208 | IDENTITY NUMBER RANGE | C | N | | |
| 7402 | Object identifier | M an..35 | | | |
| 7402 | Object identifier | C an..35 | | | |
| C208 | IDENTITY NUMBER RANGE | C | N | | |
| 7402 | Object identifier | M an..35 | | | |
| 7402 | Object identifier | C an..35 | | | |

Segment Notes:

This segment is used to provide SSCC codes for identification purposes only. If used, this segment may be repeated only once per occurrence of segment group 10 (LIN) to provide the SSCC as the primary means of identification.

Note: If a serial shipping container is identified in this segment then no product identification should be provided in composite C212 of the LIN segment.

Example:
 GIN+BJ+354123450000000014'
 Despatch the package identified by the serial shipping container code 354123450000000014.

5. Segments Layout

Segment number: 22

| SG10 | - C | 9999 - LIN-PIA-IMD-QTY-GIN-DTM-FTX-MOA-SG11-SG12-SG13 | | | |
|---|--|---|-----|---|--|
| DTM | - C | 9 - Date/time/period | | | |
| Function: To specify date, and/or time, or period. | | | | | |
| | | EDIFACT | GS1 | * | Description |
| C507 | DATE/TIME/PERIOD | M | M | | |
| 2005 | Date or time or period function code qualifier | M an..3 | M | * | 2 = Delivery date/time, requested 10 = Shipment date/time, requested 36 = Expiry date 63 = Delivery date/time, latest 64 = Delivery date/time, earliest 69 = Delivery date/time, promised for 361 = Best before date |
| 2380 | Date or time or period value | C an..35 | R | | |
| 2379 | Date or time or period format code | C an..3 | R | * | 102 = CCYYMMDD 203 = CCYYMMDDHHMM |
| Segment Notes: This segment is used to specify dates related to the current line item only. Example: DTM+2:19951112:102' | | | | | |

5. Segments Layout

Segment number: 23

| SG10 | - C | 9999 - LIN-PIA-IMD-QTY-GIN-DTM-FTX-MOA-SG11-SG12-SG13 | | | |
|---|-----------------------------------|---|----------|-------------|---|
| FTX | - C | 9 - Free text | | | |
| Function: To provide free form or coded text information. | | | | | |
| | EDIFACT | GS1 | * | Description | |
| 4451 | Text subject code qualifier | M an..3 | M | | BLR = Transport document remarks DEL = Delivery information |
| 4453 | Free text function code | C an..3 | O | * | 1 = Text for subsequent use |
| C107 | TEXT REFERENCE | C | D | | This composite is only used when trading partners have agreed to use mutually defined code values. |
| 4441 | Free text value code | Man..17 | M | | |
| 1131 | Code list identification code | C an..17 | O | | |
| 3055 | Code list responsible agency code | C an..3 | D | | 91 = Assigned by supplier or supplier's agent 92 = Assigned by buyer or buyer's agent |
| C108 | TEXT LITERAL | C | D | | This composite is only used if coded text can not be used. |
| 4440 | Free text value | Man..512 | M | | |
| 4440 | Free text value | C an..512 | O | | |
| 4440 | Free text value | C an..512 | O | | |
| 4440 | Free text value | C an..512 | O | | |
| 4440 | Free text value | C an..512 | O | | |
| 3453 | Language name code | C an..3 | D | | ISO 639 two alpha code This data element is only used when non coded free text has been provided in data element C108. |
| 4447 | Free text format code | C an..3 | N | | |
| Segment Notes: | | | | | |
| <p>This segment is used to provide free form or coded text information related to the line item. Use of this segment in free form is not recommended since it may inhibit automatic processing of the instruction to despatch. Coded references to standard texts is an available functionality which enables automatic processing and reduces transmission and processing overheads. Standard texts should be mutually defined between trading partners and can be used to cover legal or other requirements.</p> | | | | | |
| <p>Example: FTX+DEL+1+002::91'</p> | | | | | |

5. Segments Layout

Segment number: 24

| SG10 | - C | 9999 - LIN-PIA-IMD-QTY-GIN-DTM-FTX-MOA-SG11-SG12-SG13 | | | |
|--|--|---|-----|---|---|
| MOA | - C | 99 - Monetary amount | | | |
| Function: To specify a monetary amount. | | | | | |
| | | EDIFACT | GS1 | * | Description |
| C516 | MONETARY AMOUNT | M | M | | |
| 5025 | Monetary amount type code qualifier | Man..3 | M | * | 22 = Cash on delivery amount 40 = Customs value 157 = Insurance value |
| 5004 | Monetary amount | C n..35 | R | | |
| 6345 | Currency identification code | C an..3 | O | | |
| 6343 | Currency type code qualifier | C an..3 | N | | |
| 4405 | Status description code | C an..3 | N | | |
| Segment Notes: This segment is used to specify monetary values related to the current line item, e.g., cash on delivery amount. Example: MOA+22:5000' | | | | | |

5. Segments Layout

Segment number: 25

| SG10 | - C | 9999 - LIN-PIA-IMD-QTY-GIN-DTM-FTX-MOA-SG11-SG12-SG13 | | | |
|---|------------------------------|---|-----|---|--|
| SG11 | - C | 9 - RFF-DTM | | | |
| RFF | - M | 1 - Reference | | | |
| Function: | | | | | |
| To specify a reference. | | | | | |
| | | EDIFACT | GS1 | * | Description |
| C506 | REFERENCE | M | M | | |
| 1153 | Reference code qualifier | M an..3 | M | | AAJ = Delivery order number AAN = Delivery schedule number CT = Contract number HN = Handling and movement reference number (GS1 Temporary Code) IP = Import licence number ON = Order number (buyer) |
| 1154 | Reference identifier | C an..70 | R | | |
| 1156 | Document line identifier | C an..6 | O | | |
| 4000 | Reference version identifier | C an..35 | N | | |
| 1060 | Revision identifier | C an..6 | N | | |
| Segment Notes: | | | | | |
| This segment is used to specify any references which apply to the current line item only. References provided here override those provided in the heading section of the message when the same qualifier is used. | | | | | |
| Example: | | | | | |
| RFF+CT:CT051523' | | | | | |

5. Segments Layout

Segment number: 26

| SG10 | - C | 9999 - LIN-PIA-IMD-QTY-GIN-DTM-FTX-MOA-SG11-SG12-SG13 | | | |
|---|--|---|-----|---|---------------------------|
| SG11 | - C | 9 - RFF-DTM | | | |
| DTM | - C | 1 - Date/time/period | | | |
| Function: To specify date, and/or time, or period. | | | | | |
| | | EDIFACT | GS1 | * | Description |
| C507 | DATE/TIME/PERIOD | M | M | | |
| 2005 | Date or time or period function code qualifier | M an..3 | M | * | 171 = Reference date/time |
| 2380 | Date or time or period value | C an..35 | R | | |
| 2379 | Date or time or period format code | C an..3 | R | | 102 = CCYYMMDD |
| Segment Notes: This segment is used to specify dates related to the references provided in the previous RFF segment. | | | | | |
| Example: DTM+171:20021001:102' | | | | | |

5. Segments Layout

Segment number: 27

| SG10 | - C | 9999 - LIN-PIA-IMD-QTY-GIN-DTM-FTX-MOA-SG11-SG12-SG13 | | | |
|--|---|---|---|-------------|--|
| SG12 | - C | 99 - NAD-LOC | | | |
| NAD | - M | 1 - Name and address | | | |
| Function: | | | | | |
| To specify the name/address and their related function, either by C082 only and/or unstructured by C058 or structured by C080 thru 3207. | | | | | |
| | EDIFACT | GS1 | * | Description | |
| 3035 | Party function code qualifier | M an..3 | M | * | JB = Goods collection party DP = Delivery party UC = Ultimate consignee PW = Despatch party |
| C082 | PARTY IDENTIFICATION DETAILS | C | A | | |
| 3039 | Party identifier | M an..35 | M | | For identification of parties it is recommended to use GLN - Format n13. |
| 1131 | Code list identification code | C an..17 | N | | |
| 3055 | Code list responsible agency code | C an..3 | R | * | 9 = GS1 |
| C058 | NAME AND ADDRESS | C | O | | This composite may only be used to fulfill the requirements of directive 2003/58/EC, article 4. |
| 3124 | Name and address description | M an..35 | M | | |
| 3124 | Name and address description | C an..35 | O | | |
| 3124 | Name and address description | C an..35 | O | | |
| 3124 | Name and address description | C an..35 | O | | |
| 3124 | Name and address description | C an..35 | O | | |
| C080 | PARTY NAME | C | D | | |
| 3036 | Party name | M an..35 | M | | Party Name in clear text. |
| 3036 | Party name | C an..35 | O | | |
| 3036 | Party name | C an..35 | O | | |
| 3036 | Party name | C an..35 | O | | |
| 3036 | Party name | C an..35 | O | | |
| 3045 | Party name format code | C an..3 | O | | |
| C059 | STREET | C | D | | |
| 3042 | Street and number or post office box identifier | M an..35 | M | | Building Name/Number and Street Name and/or P.O. Box |
| 3042 | Street and number or post office box identifier | C an..35 | O | | |
| 3042 | Street and number or post office box identifier | C an..35 | O | | |
| 3042 | Street and number or post office box identifier | C an..35 | O | | |
| 3164 | City name | C an..35 | D | | City/Town, clear text. |
| C819 | COUNTRY SUB-ENTITY DETAILS | C | D | | |
| 3229 | Country sub-entity name code | C an..9 | O | | |

5. Segments Layout

Segment number: 27

| | EDIFACT | GS1 | * | Description |
|--|----------|-----|---|---------------------------|
| 1131 Code list identification code | C an..17 | O | | |
| 3055 Code list responsible agency code | C an..3 | O | | |
| 3228 Country sub-entity name | C an..70 | O | | County/State, clear text. |
| 3251 Postal identification code | C an..17 | D | | Postal code |
| 3207 Country name code | C an..3 | D | | ISO 3166 two alpha code |

Segment Notes:

This segment is used to identify parties relevant to the current line item only. Identification of the delivery party is mandatory at line level if the delivery party has not been previously identified in the NAD segment at heading level.

Example:

NAD+DP+5411234512309::9'

Dependency Notes:

The following composites and data elements are only used when a coded name and address can not be used.

The affected composites and data elements are as follows:

C080 - C059 - 3164 - C819 - 3251 - 3207

5. Segments Layout

Segment number: 28

| SG10 | - C | 9999 - LIN-PIA-IMD-QTY-GIN-DTM-FTX-MOA-SG11-SG12-SG13 | | | |
|---|-------------------------------------|---|----------|-------------|--|
| SG12 | - C | 99 - NAD-LOC | | | |
| LOC | - C | 99 - Place/location identification | | | |
| Function: | | | | | |
| To identify a place or a location and/or related locations. | | | | | |
| | EDIFACT | GS1 | * | Description | |
| 3227 | Location function code qualifier | M an..3 | M | * | 7 = Place of delivery |
| C517 | LOCATION IDENTIFICATION | C | A | | |
| 3225 | Location name code | C an..25 | A | | GLN - Format n13 |
| 1131 | Code list identification code | C an..17 | O | | |
| 3055 | Code list responsible agency code | C an..3 | O | | 9 = GS1 DE 3055 must be used if DE 3225 is used and does not contain an UN/LOCODE. |
| 3224 | Location name | C an..256 | O | | |
| C519 | RELATED LOCATION ONE IDENTIFICATION | C | O | | Specify ultimate delivery location, e.g. a specific point on a works site. |
| 3223 | First related location name code | C an..25 | O | | Global Location Number GLN - Format n13 |
| 1131 | Code list identification code | C an..17 | O | | |
| 3055 | Code list responsible agency code | C an..3 | D | | 9 = GS1 DE 3055 must be used if DE 3223 is used and does not contain an UN/LOCODE. |
| 3222 | First related location name | C an..70 | O | | |
| C553 | RELATED LOCATION TWO IDENTIFICATION | C | N | | |
| 3233 | Second related location name code | C an..25 | | | |
| 1131 | Code list identification code | C an..17 | | | |
| 3055 | Code list responsible agency code | C an..3 | | | |
| 3232 | Second related location name | C an..70 | | | |
| 5479 | Relation code | C an..3 | N | | |
| Segment Notes: | | | | | |
| This segment is used to identify the precise location of delivery for the current line item. | | | | | |
| It is recommended that Global Location Numbers GLN - Format n13 - be used to identify delivery locations. | | | | | |
| Example: | | | | | |
| LOC+7+5412345678908::9' | | | | | |

5. Segments Layout

Segment number: 29

| SG10 | - C | 9999 - LIN-PIA-IMD-QTY-GIN-DTM-FTX-MOA-SG11-SG12-SG13 | | |
|--|--|---|---|---|
| SG13 | - C | 9999 - PCI-GIN | | |
| PCI | - M | 1 - Package identification | | |
| Function: | | | | |
| To specify markings and labels on individual packages or physical units. | | | | |
| | EDIFACT | GS1 | * | Description |
| 4233 | Marking instructions code | C an..3 | O | 17 = Supplier's instructions 33E = Marked with serial shipping container code (GS1 Temporary Code) |
| C210 | MARKS & LABELS | C | O | |
| 7102 | Shipping marks description | Man..35 | M | |
| 7102 | Shipping marks description | C an..35 | O | |
| 7102 | Shipping marks description | C an..35 | O | |
| 7102 | Shipping marks description | C an..35 | O | |
| 7102 | Shipping marks description | C an..35 | O | |
| 7102 | Shipping marks description | C an..35 | O | |
| 7102 | Shipping marks description | C an..35 | O | |
| 7102 | Shipping marks description | C an..35 | O | |
| 7102 | Shipping marks description | C an..35 | O | |
| 7102 | Shipping marks description | C an..35 | O | |
| 7102 | Shipping marks description | C an..35 | O | |
| 8275 | Container or package contents indicator code | C an..3 | O | |
| C827 | TYPE OF MARKING | C | N | |
| 7511 | Marking type code | Man..3 | | |
| 1131 | Code list identification code | C an..17 | | |
| 3055 | Code list responsible agency code | C an..3 | | |
| Segment Notes: | | | | |
| This segment is used to provide markings and labels information relevant to the product identified in the LIN segment. | | | | |
| Example: PCI+17+PERISHABLE FOODSTUFFS' | | | | |

5. Segments Layout

Segment number: 30

| SG10 | - C | 9999 - LIN-PIA-IMD-QTY-GIN-DTM-FTX-MOA-SG11-SG12-SG13 | | | |
|--|---|---|----------|-------------|---|
| SG13 | - C | 9999 - PCI-GIN | | | |
| GIN | - C | 9 - Goods identity number | | | |
| Function: | | | | | |
| To give specific identification numbers, either as single numbers or ranges. | | | | | |
| | EDIFACT | GS1 | * | Description | |
| 7405 | Object identification code qualifier | M an..3 | M | * | <p>AW = Serial shipping container code BJ = Serial shipping container code BN = Serial number BX = Batch number SRV = GS1 Global Trade Item Number (GS1 Temporary Code)</p> <p>In EANCOM it is required to use the Serial Shipping Container Code (SSCC's) for unique identification of individual transport packages.</p> |
| C208 | IDENTITY NUMBER RANGE | M | M | | |
| 7402 | Object identifier | M an..35 | M | | |
| 7402 | Object identifier | C an..35 | O | | |
| C208 | IDENTITY NUMBER RANGE | C | O | | |
| 7402 | Object identifier | M an..35 | M | | |
| 7402 | Object identifier | C an..35 | O | | |
| C208 | IDENTITY NUMBER RANGE | C | O | | |
| 7402 | Object identifier | M an..35 | M | | |
| 7402 | Object identifier | C an..35 | O | | |
| C208 | IDENTITY NUMBER RANGE | C | O | | |
| 7402 | Object identifier | M an..35 | M | | |
| 7402 | Object identifier | C an..35 | O | | |
| C208 | IDENTITY NUMBER RANGE | C | O | | |
| 7402 | Object identifier | M an..35 | M | | |
| 7402 | Object identifier | C an..35 | O | | |
| Segment Notes: | | | | | |
| This segment is used to provide identification numbers marked on the packaging of the current line item. | | | | | |
| Example: | | | | | |
| GIN+BJ+354123450000000014' | | | | | |

5. Segments Layout

Segment number: 31

| | | | | |
|---|------------------------|------|-----|--|
| UNS - M 1 - Section control | | | | |
| Function: To separate header, detail and summary sections of a message. | | | | |
| Notes: To be used by message designers only when required to avoid ambiguities. | | | | |
| | EDIFACT | GS1 | * | Description |
| 0081 | Section identification | M a1 | M * | S = Detail/summary section separation |
| Segment Notes: This segment is used to identify the break between the message detail and summary sections. | | | | |
| Example: UNS+S' | | | | |

5. Segments Layout

Segment number: 32

| MOA - C 99 - Monetary amount | | | | | |
|---|--|---------|-----|---|---|
| Function: To specify a monetary amount. | | | | | |
| | | EDIFACT | GS1 | * | Description |
| C516 | MONETARY AMOUNT | M | M | | |
| 5025 | Monetary amount type code qualifier | Man..3 | M | | 22 = Cash on delivery amount 40 = Customs value 157 = Insurance value |
| 5004 | Monetary amount | C n..35 | R | | |
| 6345 | Currency identification code | C an..3 | O | | |
| 6343 | Currency type code qualifier | C an..3 | N | | |
| 4405 | Status description code | C an..3 | N | | |
| Segment Notes: | | | | | |
| This segment is used to specify total monetary values relevant to the complete message, e.g. total cash on delivery amount. | | | | | |
| Example: MOA+22:86651' | | | | | |

5. Segments Layout

Segment number: 33

| CNT - C 9 - Control total | | | | |
|--|---------|-----|---|---|
| Function: To provide control total. | | | | |
| | EDIFACT | GS1 | * | Description |
| C270 CONTROL | M | M | | |
| 6069 Control total type code qualifier | Man..3 | M | | 1 = Total value of the quantity segments at line level in a message 2 = Number of line items in message |
| 6066 Control total value | Mn..18 | M | | |
| 6411 Measurement unit code | C an..3 | O | | |
| Segment Notes: This segment is used to provide message control information for checking on the message receiver's in-house system. Example: CNT+2:12' | | | | |

5. Segments Layout

Segment number: 34

| UNT - M 1 - Message trailer | | | | | |
|---|---------------------------------|----------|----------|---|---|
| Function: To end and check the completeness of a message. | | | | | |
| Notes: 1. 0062, the value shall be identical to the value in 0062 in the corresponding UNH segment. | | | | | |
| | | EDIFACT | GS1 | * | Description |
| 0074 | Number of segments in a message | M n..10 | M | | The total number of segments in the message is detailed here. |
| 0062 | Message reference number | M an..14 | M | | The message reference numbered detailed here should equal the one specified in the UNH segment. |
| Segment Notes: This segment is used to end and check the completeness of a message. The UNT segment is a mandatory UN/EDIFACT segment. It must always be the last segment in the message. | | | | | |
| Example: UNT+42+ME000001' | | | | | |

6. Examples

Example 1 - Instruction to despatch articles

The following is an example of an Instruction To Despatch message sent on the 15th of January 2002 by the ordering party identified by GLN 5411234512309 to the logistic service provider identified by GLN 5412345123453.

The message which is identified by the number 45223, relates to the despatch of articles ordered by the buyer using the order number 2335-AX which are to be delivered cash on delivery to the delivery party identified by GLN 5487654111118 on the 16th of January 2002. The total cash on delivery amount for the complete message is detailed as being 86651 Euros.

The detail section of the message indicates the quantity of each product, all of which are identified using GTINs, which must be despatched.

| | |
|--------------------------------------|---|
| UNH+ME000001+INSDES:D:01B:UN:EAN003' | Message header |
| BGM+350+45223+9' | Instruction to despatch number 45223 |
| DTM+137:20020115:102' | Message date 15th January 2002 |
| DTM+2:20020116:102' | Requested delivery date/time 16th January 2002 |
| FTX+DEL+++CASH ON DELIVERY' | Delivery information: delivered cash on delivery |
| RFF+ON:2335-AX' | Reference order number 2335-AX' |
| NAD+OB+5411234512309::9' | Ordered by identified with GLN 5411234512309 |
| NAD+DP+5487654111118::9' | Delivery party identified with GLN 5487654111118 |
| NAD+LSP+5412345123453::9' | Logistic service provider identified with GLN 5412345123453 |
| LIN+1++5412345123453:SRV' | Line item number 1 GTIN 5412345123453 |
| IMD+F+++:::CORN CRISPIES:CASE' | Description of the item |
| QTY+113:40' | Quantity to be delivered 40 |
| LIN+2++5412345222224:SRV' | Line item number 2 GTIN 5412345222224 |
| IMD+F+++:::CRUNCHY BISCUITS' | Description of the item |
| QTY+113:60' | Quantity to be delivered 60 |
| LIN+3++5412345333333:SRV' | Line item number 3 GTIN 5412345333333 |
| IMD+F+++:::PEELED TOMATOES' | Description of the item |
| QTY+113:90' | Quantity to be delivered 90 |
| UNS+S' | Break between the detail section and the summary section |
| MOA+22:86651:EUR' | The total monetary amount cash on delivery 86.651 EUR |
| CNT+2:3' | Number of line items in the message 3 |
| UNT+22+ME000001' | Total number of segments in the message equals 22 |

6. Examples

Example 2 - Instruction to despatch articles to different locations on different dates

The following is an example of an Instruction To Despatch message sent on the 7th of January 2002 by the ordering party identified by GLN 5432165999991 to the logistic service provider identified by GLN 5461616111118.

The message which is identified by the number 3223, relates to the despatch of articles which were previously manipulated (packed and labelled) using the cargo/goods handling and movement message with the reference HAN8755. In addition it is specified that the transporter to be used to carry out the delivery is to be ABC Carriers.

The message details three products identified by GTINs which are to be delivered over two dates to three different delivery parties identified by GLNs.

| GTIN | Quantity | Date | GLN |
|---------------|----------|------------|---------------|
| 5012345959559 | 40 | | |
| 5474125232328 | 120 | 09/01/2002 | 5485421111118 |
| 5078965252524 | 80 | | |
| 5012345959559 | 40 | | |
| 5078965252524 | 220 | 09/01/2002 | 5485421212129 |
| 5012345959559 | 40 | | |
| 5474125232328 | 24 | 10/01/2002 | 5485421333336 |
| 5078965252524 | 24 | | |

| | |
|--------------------------------------|---|
| UNH+ME000001+INSDES:D:01B:UN:EAN003' | Message header |
| BGM+350+3223+9' | Instruction to despatch number 3223 |
| DTM+137:20020107:102' | Message date 7th January 2002 |
| RFF+HN:HAN8755' | Handling and movement reference number HAN8755 |
| NAD+OB+5432165999991::9' | Ordered by identified with GLN 5432165999991 |
| NAD+LSP+5461616111118::9' | Logistic service provider identified with GLN 5461616111118 |
| TDT+20++30+31+:::ABC CARRIERS' | Transported by truck from ABC Carriers |
| LIN+1++5012345959559:SRV' | Line item number 1 GTIN 5012345959559 |
| QTY+113:40' | Quantity to be delivered 40 |
| DTM+2:20020109:102' | Delivery date/time 9th January 2002 |
| NAD+DP+5485421111118::9' | Delivery party identified using GLN 5485421111118 |
| LIN+2++5474125232328:SRV' | Line item number 2 GTIN 5474125232328 |
| QTY+113:120' | Quantity to be delivered 120 |
| DTM+2:20020109:102' | Delivery date/time 9th January 2002 |
| NAD+DP+5485421111118::9' | Delivery party identified using GLN 5485421111118 |
| LIN+3++5078965252524:SRV' | Line item number 3 GTIN 5078965252524 |
| QTY+113:80' | Quantity to be delivered 80 |
| DTM+2:20020109:102' | Delivery date/time 9th January 2002 |

6. Examples

| | |
|---------------------------|---|
| NAD+DP+5485421111118::9' | Delivery party identified using GLN 5485421111118 |
| LIN+4++5012345959559:SRV' | Line item number 4 GTIN 5012345959559 |
| QTY+113:40' | Quantity to be delivered 40 |
| DTM+2:20020109:102' | Delivery date/time 9th January 2002 |
| NAD+DP+5485421212129::9' | Delivery party identified using GLN 5485421212129 |
| LIN+5++5078965252524:SRV' | Line item number 5 GTIN 5078965252524 |
| QTY+113:220' | Quantity to be delivered 220 |
| DTM+2:20020109:102' | Delivery date/time 9th January 2002 |
| NAD+DP+5485421212129::9' | Delivery party identified using GLN 5485421212129 |
| LIN+6++5012345959559:SRV' | Line item number 6 GTIN 5012345959559 |
| QTY+113:40' | Quantity to be delivered 40 |
| DTM+2:20020110:102' | Delivery date/time 10th January 2002 |
| NAD+DP+5485421333336::9' | Delivery party identified using GLN 5485421333336 |
| LIN+7++5474125232328:SRV' | Line item number 7 GTIN 5474125232328 |
| QTY+113:24' | Quantity to be delivered 24 |
| DTM+2:20020110:102' | Delivery date/time 10th January 2002 |
| NAD+DP+5485421333336::9' | Delivery party identified using GLN 5485421333336 |
| LIN+8++5078965252524:SRV' | Line item number 8 GTIN 5078965252524 |
| QTY+113:24' | Quantity to be delivered 24 |
| DTM+2:20020110:102' | Delivery date/time 10th January 2002 |
| NAD+DP+5485421333336::9' | Delivery party identified using GLN 5485421333336 |
| UNS+S' | Break between the detail section and the summary section |
| CNT+2:8' | Number of line items in the message 8 |
| CNT+1:588' | Number of total algebraic of the quantity values in line items in a message 588 |
| UNT+43+ME000001' | Total number of segments in the message equals 43 |

Example 3 - Instruction to despatch articles identified by EAN.UCC SSCC's

The following is an example of an Instruction To Despatch message sent on the 20th of January 2002 by the ordering party identified by GLN 5411234512309 to the logistic service provider identified by GLN 5412345123453.

The message which is identified by the number 9663, relates to the despatch of articles ordered by the buyer using the order number 2335-AX and which were packed as mixed pallets following instructions contained in the cargo/goods handling and movement message identified by the number 633-AV.

The message details an instruction to despatch two mixed pallets identified by EAN.UCC Serial Shipping Container Codes to the delivery party identified by GLN 5477777111119 on the 24th of January 2002.

6. Examples

| | |
|---------------------------------------|---|
| UNH+ME000001+INSDDES:D:01B:UN:EAN003' | Message header |
| BGM+350+9663+9' | Instruction to despatch number 9663 |
| DTM+137:20020140:102' | Message date 7th January 2002 |
| DTM+2:20020144:102' | Delivery date/time 24th January 2002 |
| RFF+ON:2335-AX' | Reference order number 2335-AX' |
| RFF+HN:633-AV' | Handling and movement reference number 633-AV |
| NAD+OB+5411234512309::9' | Ordered by identified with GLN 5411234512309 |
| NAD+DP+5477777111119::9' | Delivery party identified with GLN 5477777111119 |
| NAD+LSP+5412345123453::9' | Logistic service provider identified with GLN 5412345123453 |
| LIN+1' | Line item 1 |
| IMD+F+++::MIXED PALLET:FOODSTUFFS' | Description of the goods food stuffs |
| GIN+BJ+354107380000001051' | EAN.UCC SSCC 354107380000001051 |
| LIN+2' | Line item 2 |
| IMD+F+++::MIXED PALLET:FOODSTUFFS' | Description of the goods food stuffs |
| GIN+BJ+354107380000001068' | EAN.UCC SSCC 354107380000001068 |
| UNS+S' | Break between the detail section and the summary section |
| MOA+22:86651:EUR' | The total monetary amount cash on delivery 86651 EUR |
| CNT+2:2' | Number of line items in the message 2 |
| UNT+19+ME000001' | Total number of segments in the message equals 19 |

Note:

The EDI interchange will include the UNB..UNZ segments and, if applicable, the UNG..UNE segments. (See part 1 section 5.7).