

EANCOM[®] 2002 S4

CONTRL

Syntax and service report message

Edition 2016

1. Introduction.....	2
2. Message Structure Chart	5
3. Branching Diagram.....	6
4. Segments Description	7
5. Segments Layout.....	8
6. Example(s)	22

1. Introduction

Status

MESSAGE TYPE : CONTRL
REFERENCE DIRECTORY : Syntax Version 4
EANCOM® SUBSET VERSION : 004

Definition

A Syntax and Service Report message is a message syntactically acknowledging, or rejecting with error indication, a received interchange, or message.

Principles

A sender of an EDIFACT interchange can in the UNB segment, using data element 0031, 'Acknowledgement request', request a response from the receiver indicating receipt of the interchange, and if necessary, whether the syntax of all contained segments is correct and supported by the recipient.

The interchange may be responded to in two ways:

1. acknowledge or reject the interchange or message and list any errors contained therein.
2. acknowledge only the receipt. This requires that the UNB, UNZ and the UNA if used, be checked.

The EANCOM® CONTRL message will not be used to report on functional groups. The use of functional groups within EANCOM® is not a recommended practice.

The CONTRL message is used to report on the syntax level of an interchange not the business information/data content contained. To acknowledge errors made during the processing within the application see APERAK message.

A recipient may choose to acknowledge syntactical errors which are deemed to be non-fatal by the recipient, e.g. data element exceeding the maximum length.

The CONTRL message will be generated by the recipient of another message. The application which carries out the syntax check may be a third party acting on behalf of the message recipient, e.g. a value added network. When this function is carried out by a third party, the third party should not stop progress of the message to its destination, but should report results to the message recipient according to procedures agreed between the recipient and the third party. The message sender and the message recipient always retain the responsibility for the business use of the CONTRL message.

A CONTRL message shall only be generated when the recipient of the message supports the receipt of a CONTRL message. This agreement would normally be detailed in the interchange agreement.

A CONTRL message must always be sent as a separate interchange.

A CONTRL message may only ever report the action taken for one interchange. It may not refer to several, or parts of several interchanges.

1. Introduction

The CONTRL message may acknowledge or reject a complete interchange without referencing messages contained within it.

Additional Notes

Relationship between CONTRL and original interchange

A maximum of two CONTRL messages may be sent in response to a received interchange, an optional acknowledgement of receipt of the interchange, and/or, a report on the results of the syntax check of the interchange. The second type of CONTRL message must be sent if a request for acknowledgement is indicated in the original interchange UNB segment.

The CONTRL message is based on four segments each of which refers to a particular area in the original interchange :

CONTRL Segment Tag	Original Interchange Segments
UCI - Interchange Response	UNA / UNB / UNZ
UCM - Message Response	Full Message
UCS - Segment Error Indication	All Segments
UCD - Data Element Error Indication	All Simple, Composite, or Component Data Elements

Each of the above four CONTRL segments contains a data element indicating the action taken and if required the error being reported.

When acknowledging only the receipt of an interchange segment groups 1 (maximum 1 per message) shall not be used.

Use of Action Codes

The action, either acknowledgement or rejection, is indicated by a code in the UCI and/or UCM segments. The codes allocated to the 'Syntax error, coded', data element 0085, are contained in the code list for this data element (Part III of this manual).

When referencing a level, a segment from the referenced level must be contained in the CONTRL message. When referencing lower levels, all levels above the lower levels must be acknowledged.

Action code 4 and 7 are only used in CONTRL messages reporting the action after a complete check of the interchange. Action code 8 is only used to acknowledge receipt of the interchange.

Syntactical Error Reporting

Errors may be reported for all levels in an interchange using the CONTRL message. The position and nature of the error may be indicated.

The UCI and UCM segments may only report one error per level referenced. If more than one error is detected within a level, the receiver of the interchange may choose to either indicate one of the identified errors or all errors. Reporting of several errors in an interchange is achieved through the use of the relevant group repeated for each error level. Several CONTRL messages shall not be sent to report several errors.

It is recommended that errors, and their positions, should be identified as precisely as possible. Use of more general error codes in place of more precise ones is strongly discouraged. Identification of the precise location of an error will usually require access to the interchange in the format in which it was transferred.

Errors in copied Data Elements

The CONTRL message contains several mandatory data elements which are copied from the original interchange, e.g. in the UCM segment data elements 0062 through 0057 inclusive are copied from the UNH segment. If the data element in the original interchange is missing or syntactically invalid then a syntactically valid CONTRL message

1. Introduction

can not be generated. If the trading parties have not agreed to allow syntactically incorrect data in the CONTRL message then the error must be reported through means other than the CONTRL message.

Acknowledgement of a CONTRL message

No CONTRL, or other message types in UN/EDIFACT, shall be sent in response to a received CONTRL message. Errors in received CONTRL messages must be reported by other means.

Support of the CONTRL message type

Parties requesting acknowledgement by means of the 'Acknowledgement request' data element in the UNB segment must support the receipt of the CONTRL message type. Requirements for the submission and receipt of the CONTRL message should be agreed between trading parties.

All parties supporting the receipt or submission of the CONTRL message must be able to check all parts of the interchange in the case of the sender, and, be able to understand all information (and report errors) at all reporting levels in the case of the receiver.

Terms and definitions

Acknowledgement implies that the recipient of the interchange:

- has received the acknowledged part of the interchange, and
- has checked that there are no fatal syntactic errors in the acknowledged part that prevents further processing of it, and
- has checked that all received service segments in the acknowledged part are semantically correct (if no errors were reported), and
- will comply with the actions requested in the service segments, and
- has accepted liability for notifying the sender by other means than sending a CONTRL message if any syntactic or semantic errors as described above are later detected in the relevant part, or the part can not be processed for some other reason after the part has been acknowledged in a submitted CONTRL message,
- has taken reasonable precautions in order to ensure that such errors are detected and that the sender is notified.

Rejection implies that the recipient of the subject interchange:

- can not acknowledge the interchange or relevant part of it for reasons indicated in the CONTRL message, and
- will not take any further action on business information contained in the rejected part of the interchange.

Reporting level is a segment in CONTRL in which reporting of a corresponding referenced level takes place. The reporting levels are UCI, UCM, UCS and UCD.

Referenced level - the structure of the CONTRL message is based on four segments (UCI, UCD, UCS and UCM) that contain a reference to a part of the interchange. The parts of the interchange are detailed in Additional Notes, section 1 above.

2. Message Structure Chart

Syntax And Service Report Heading Section

UNH	1	M	1	- Message header
UCI	2	M	1	- Interchange response

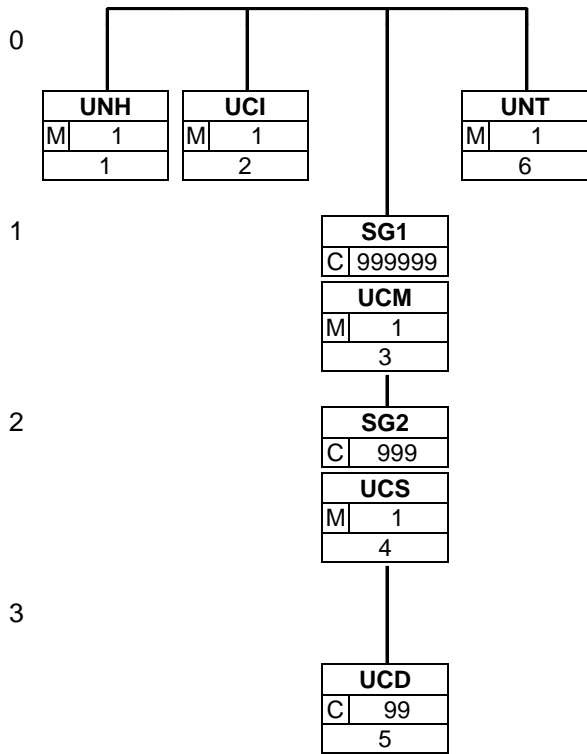
Syntax And Service Report Detail Section

SG1	C	999999	- UCM-SG2	
UCM	3	M	1	- Message/package response
SG2	C	999	- UCS-UCD	
UCS	4	M	1	- Segment error indication
UCD	5	C	99	- Data element error indication

Syntax And Service Report Summary Section

UNT	6	M	1	- Message trailer
-----	---	---	---	-------------------

3. Branching Diagram



4. Segments Description

Syntax And Service Report Heading Section

- UNH - M 1 - Message header
This segment is used to head, identify and specify a message.
- UCI - M 1 - Interchange response
This segment is used to identify the interchange being responded to.

Syntax And Service Report Detail Section

- SG1** - C 999999 - **UCM-SG2**
A group of segments sent in response to a message in the subject interchange identified in the UCI segment. This segment group is only used if the subject interchange does not contain functional groups.
- UCM - M 1 - Message/package response
This segment is used to identify specific messages within the interchange identified in the previous UCI segment.
- SG2** - C 999 - **UCS-UCD**
A group of segments sent in response to a segment containing one or more errors, and which was part of the message identified by the UCM segment in segment group 1.
- UCS - M 1 - Segment error indication
This segment is used to identify the position of a segment within a message. This segment is only used to identify segments within the message identified in the UCM segment which have errors.
- UCD - C 99 - Data element error indication
This segment is used to identify the position of a component or composite data element within a segment. This segment is only used to identify component or composite data elements within the segment identified in the UCS segment which have errors.

Syntax And Service Report Summary Section

- UNT - M 1 - Message trailer
This segment is a mandatory UN/EDIFACT segment. It must always be the last segment in the message.

5. Segments Layout

This section describes each segment used in the EANCOM® Syntax and Service Report message. The original EDIFACT segment layout is listed. The appropriate comments relevant to the EANCOM® subset are indicated.

Notes:

1. The segments are presented in the sequence in which they appear in the message. The segment or segment group tag is followed by the (M)andatory / (C)onditional indicator, the maximum number of occurrences and the segment description.
2. Reading from left to right, in column one, the data element tags and descriptions are shown, followed by in the second column the EDIFACT status (M or C), the field format, and the picture of the data elements. These first pieces of information constitute the original EDIFACT segment layout.

Following the EDIFACT information, EANCOM® specific information is provided in the third, fourth, and fifth columns. In the third column a status indicator for the use of (C)onditional EDIFACT data elements (see 2.1 through 2.3 below), in the fourth column the restricted indicator (see point 3 on the following page), and in the fifth column notes and code values used for specific data elements in the message.

- 2.1 (M)andatory data elements in EDIFACT segments retain their status in EANCOM®.
- 2.2 Additionally, there are five types of status for data elements with a (C)onditional EDIFACT status, whether for simple, component or composite data elements. These are listed below and can be identified when relevant by the following abbreviations:

- REQUIRED	R	Indicates that the entity is required and must be sent.
- ADVISED	A	Indicates that the entity is advised or recommended.
- DEPENDENT	D	Indicates that the entity must be sent in certain conditions, as defined by the relevant explanatory note.
- OPTIONAL	O	Indicates that the entity is optional and may be sent at the discretion of the user.
- NOT USED	N	Indicates that the entity is not used and should be omitted.

- 2.3 If a composite is flagged as **N, NOT USED**, all data elements within that composite will have blank status indicators assigned to them.
3. Status indicators detailed in the fourth column which directly relate to the code values detailed in the fifth **column** may have two values:

- RESTRICTED	*	A data element marked with an asterisk (*) in the fourth column indicates that the listed codes in column five are the only codes available for use with this data element, in this segment, in this message.
- OPEN		All data elements where coded representation of data is possible and a restricted set of code values is not indicated are open (no asterisk in fourth column). The available codes are listed in the EANCOM® Data Elements and Code Sets Directory. Code values may be given as examples or there may be a note on the format or type of code to be used.

4. Different colours are used for the code values in the segment details: restricted codes are in red and open codes in blue.

5. Segments Layout

Segment number: 1

UNH - M 1 - Message header		EDIFACT	GS1	*	Description
Function: To head, identify and specify a message.					
Notes: 1. Data element S009/0057 is retained for upward compatibility. The use of S016 and/or S017 is encouraged in preference. 2. The combination of the values carried in data elements 0062 and S009 shall be used to identify uniquely the message within its group (if used) or if not used, within its interchange, for the purpose of acknowledgement.					
0062	Message reference number	M an..14	M		Senders unique message reference. Sequence number of messages in the interchange. DE 0062 in the UNT will have the same value. Generated by the sender.
S009	MESSAGE IDENTIFIER	M	M		
0065	Message type	M an..6	M	*	CONTRL = Syntax and service report message Indicates that the message is a Syntax and Service Report message.
0052	Message version number	M an..3	M	*	4 = Service message, version 4
0054	Message release number	M an..3	M	*	1 = First release
0051	Controlling agency, coded	M an..3	M	*	UN = UN/CEFACT
0057	Association assigned code	C an..6	R	*	EAN005 = GS1 version control number (GS1 Permanent Code) Indicates that the message is an EANCOM version 005 of the Syntax and Service Report message.
0110	Code list directory version number	C an..6	O		This data element can be used to identify the codelist agreed by the interchange partners, e.g. EAN001 = EANCOM 2002 S4 codelist released on 01.12.2002 by GS1.
0113	Message type sub-function identification	C an..6	N		
0068	Common access reference	C an..35	N		
S010	STATUS OF THE TRANSFER	C	N		
0070	Sequence of transfers	M n..2			
0073	First and last transfer	C a1			
S016	MESSAGE SUBSET IDENTIFICATION	C	N		
0115	Message subset identification	M an..14			
0116	Message subset version number	C an..3			
0118	Message subset release number	C an..3			
0051	Controlling agency, coded	C an..3			
S017	MESSAGE IMPLEMENTATION GUIDELINE IDENTIFICATION	C	N		
0121	Message implementation guideline identification	M an..14			

5. Segments Layout

0122	Message implementation	C an..3			
------	------------------------	---------	--	--	--

5. Segments Layout

Segment number: 1

	EDIFACT	GS1	*	Description
guideline version number				
0124 Message implementation guideline release number	C an..3			
0051 Controlling agency, coded	C an..3			
S018 SCENARIO IDENTIFICATION	C	N		
0127 Scenario identification	Man..14			
0128 Scenario version number	C an..3			
0130 Scenario release number	C an..3			
0051 Controlling agency, coded	C an..3			

Segment Notes:

This segment is used to head, identify and specify a message.

Example:

UNH+ME000001+CONTRL:4:1:UN:EAN005'

5. Segments Layout

Segment number: 2

UCI - M 1 - Interchange response					
<p>Function:</p> <p>To identify the subject interchange, to indicate interchange receipt, to indicate acknowledgement or rejection (action taken) of the UNA, UNB and UNZ segments, and to identify any error related to these segments. It can also identify errors related to the USA, USC, USD, USH, USR, UST, or USU security segments when they appear at the interchange level. Depending on the action code, it may also indicate the action taken on the groups, messages, and packages within that interchange.</p> <p>Dependency Notes:</p> <ol style="list-style-type: none"> 1. D5(060,050) If first, then all 2. D5(070,060,050) If first, then all 3. D5(080,060,050,090) If first, then all 4. D5(090,080,060,050) If first, then all <p>Notes:</p> <ol style="list-style-type: none"> 5. 0135, may only contain the values UNA, UNB, UNZ, USA, USC, USD, USH, USR, UST, or USU. 6. This data element shall be present when reporting an error in a security segment. 					
		EDIFACT	GS1	*	Description
0020	Interchange control reference	M an..14	M		
S002	INTERCHANGE SENDER	M	M		
0004	Interchange sender identification	M an..35	M		Global Location Number GLN - Format n13
0007	Identification code qualifier	C an..4	O	*	14 = GS1
0008	Interchange sender internal identification	C an..35	O		
0042	Interchange sender internal sub-identification	C an..35	N		
S003	INTERCHANGE RECIPIENT	M	M		
0010	Interchange recipient identification	M an..35	M		Global Location Number GLN - Format n13
0007	Identification code qualifier	C an..4	O	*	14 = GS1
0014	Interchange recipient internal identification	C an..35	O		
0046	Interchange recipient internal sub-identification	C an..35	N		
0083	Action, coded	M an..3	M		4 = This level and all lower levels rejected 6 = UNB/UNZ rejected (GS1 Permanent Code) 7 = This level acknowledged, next lower level acknowledged if not explicitly rejected 8 = Interchange received
0085	Syntax error, coded	C an..3	D	*	1 = UNA not supported (GS1 Temporary Code) 2 = Syntax level or version not supported 7 = Interchange recipient not actual recipient 11 = Password invalid (GS1 Temporary Code) 12 = Invalid value 13 = Missing 14 = Value not supported in this position

5. Segments Layout

Segment number: 2

		EDIFACT	GS1	*	Description
					15 = Not supported in this position 16 = Too many constituents 17 = No agreement 18 = Unspecified error 20 = Character invalid as service character 21 = Invalid character(s) 22 = Invalid service character(s) 23 = Unknown interchange sender 24 = Too old 25 = Test indicator not supported 26 = Duplicate detected 27 = Security function not supported 28 = References do not match 29 = Control count does not match number of instances received 30 = Functional groups and messages mixed 32 = Lower level empty 33 = Invalid occurrence outside message or functional group 37 = Invalid type of character(s) 39 = Data element too long 40 = Data element too short 41 = Permanent communication network error 42 = Temporary communication network error 43 = Unknown interchange recipient
0135	Service segment tag, coded	C an..3	D		
S011	DATA ELEMENT IDENTIFICATION	C	D		
0098	Erroneous data element position in segment	Mn..3	M		The numerical count position of the simple or composite data element in error. The segment tag and each simple and composite data element position number within the segment.
0104	Erroneous component data element position	C n..3	O		The numerical count position of the component data element in error. Each component data element position defined in the composite data element description shall cause the count to be incremented.
0136	Erroneous data element occurrence	C n..6	N		
0534	Security reference number	C an..14	N		
0138	Security segment position	C n..6	N		

5. Segments Layout

Segment Notes:

This segment is used to identify the interchange being responded to.

The segment may also be used to indicate acknowledgement or rejection of the UNA, UNB and UNZ segments and any errors present in these segments.

DE's 0020, S002 and S003: To identify the interchange being responded to these data elements must contain the same values as were specified in the UNB segment of the original interchange.

DE's 0083 and 0085: These data elements are used to indicate the status of the interchange and in cases where errors are present to identify the error.

DE's 0135, S011: If there are errors in the UNA, UNB, UNZ or the security service segments at interchange level the segment in question and the position of the error in the segment may be identified in these data elements.

5. Segments Layout

Segment number: 2

Example:

UCI+10001+5412345000013:14+5412345000020:14+8'

Interchange number 10001 from the party identified by the Global Location Number GLN 5412345000013 to the party identified by the Global Location Number GLN 5412345000020 has been received.

Dependency Notes:

Data elements 0085, 0135 and S011 are only used when errors are being reported.

5. Segments Layout

Segment number: 3

SG1	- C	999999 - UCM-SG2		
UCM	- M	1 - Message/package response		
<p>Function:</p> <p>To identify a message or package in the subject interchange, and to indicate that message's or package's acknowledgement or rejection (action taken), and to identify any error related to the UNH, UNT, UNO, and UNP segments. It can also identify errors related to the USA, USC, USD, USH, USR, UST, or USU security segments when they appear at the message or package level.</p> <p>Dependency Notes:</p> <ol style="list-style-type: none"> 1. D1(010,070) One and only one 2. D2(010,020) All or none 3. D2(070,080) All or none 4. D5(050,040) If first, then all 5. D5(060,050,040) If first, then all 6. D5(090,050,040,100) If first, then all 7. D5(100,090,050,040) If first, then all <p>Notes:</p> <ol style="list-style-type: none"> 8. 0135, may only contain the values UNH, UNT, UNO, UNP, USA, USC, USD, USH, USR, UST, or USU. 9. This data element shall be present when reporting an error in a security segment. 				
	EDIFACT	GS1	*	Description
0062	Message reference number	C an..14	R	
S009	MESSAGE IDENTIFIER	C	R	
0065	Message type	Man..6	M	
0052	Message version number	Man..3	M	
0054	Message release number	Man..3	M	
0051	Controlling agency, coded	Man..3	M	
0057	Association assigned code	C an..6	R	
0110	Code list directory version number	C an..6	O	
0113	Message type sub-function identification	C an..6	N	
0083	Action, coded	M an..3	M	<p>4 = This level and all lower levels rejected</p> <p>7 = This level acknowledged, next lower level acknowledged if not explicitly rejected</p>

5. Segments Layout

0085	Syntax error, coded	C an..3	D	*	<p>3 = Message version/release not supported (GS1 Temporary Code)</p> <p>12 = Invalid value</p> <p>13 = Missing</p> <p>14 = Value not supported in this position</p> <p>15 = Not supported in this position</p> <p>16 = Too many constituents</p> <p>17 = No agreement</p> <p>18 = Unspecified error</p> <p>21 = Invalid character(s)</p> <p>22 = Invalid service character(s)</p> <p>23 = Unknown interchange sender</p> <p>25 = Test indicator not supported</p> <p>26 = Duplicate detected</p> <p>27 = Security function not supported</p> <p>28 = References do not match</p> <p>29 = Control count does not match number</p>
------	---------------------	---------	---	---	---

5. Segments Layout

Segment number: 3

		EDIFACT	GS1	*	Description
					<p>of instances received</p> <p>30 = Functional groups and messages mixed</p> <p>31 = More than one message type in group</p> <p>34 = Nesting indicator not allowed</p> <p>37 = Invalid type of character(s)</p> <p>39 = Data element too long</p> <p>40 = Data element too short</p>
0135	Service segment tag, coded	C an..3	D		
S011	DATA ELEMENT IDENTIFICATION	C	D		
0098	Erroneous data element position in segment	M n..3	M		The numerical count position of the simple or composite data element in error. The segment tag and each simple and composite data element position number within the segment.
0104	Erroneous component data element position	C n..3	O		The numerical count position of the component data element in error. Each component data element position defined in the composite data element description shall cause the count to be incremented.
0136	Erroneous data element occurrence	C n..6	N		
0800	Package reference number	C an..35	N		
S020	REFERENCE IDENTIFICATION	C	N		
0813	Reference qualifier	M an..3			
0802	Reference identification number	M an..35			
0534	Security reference number	C an..14	N		
0138	Security segment position	C n..6	N		

Segment Notes:

This segment is used to identify specific messages within the interchange identified in the previous UCI segment. This segment is similar in layout to the UNH segment (data elements 0062 to 0057 inclusive) and should contain the same information as that contained in the UNH segment.

DE's 0083 and 0085: These data elements are used to indicate the status of the message and in cases where errors are present to identify the error.

DE's 0135, S011: If there are errors in the UNH, UNT or the security service segments at message level the segment in question and the position of the error in the segment may be identified in these data elements.

Example:

UCM+ME002341+INVOIC:D:01B:UN:EAN010+4+13+UNH+2'

Message reference ME002341, an INVOIC message, has been rejected because the mandatory data element 0062 has not been included in the UNH segment position 2.

Dependency Notes:

Data elements 0085, 0135 and S011 are only used when errors are being reported.

5. Segments Layout

Segment number: 4

SG1	- C	999999 - UCM-SG2
SG2	- C	999 - UCS-UCD
UCS	- M	1 - Segment error indication

Function:
To identify either a segment containing an error or a missing segment, and to identify any error related to the complete segment.

Notes:
1. 0085, shall contain a value only if the error pertains to the segment identified by data element 0096.

	EDIFACT	GS1	*	Description	
0096	Segment position in message body	M n..6	M		The numerical count position of a specific segment that is within the received message. The numbering starts with, and includes, the UNH segment as segment number 1. To identify a segment that contains an error, use the numerical count position of that segment. To report that a segment that is missing use the numerical count position of the last segment that was processed prior to the position where the missing segment was expected to be. A missing segment group is denoted by identifying the first segment in the group as missing.
0085	Syntax error, coded	C an..3	O	*	<ul style="list-style-type: none"> 6 = Data segment missing/invalid (GS1 Temporary Code) 12 = Invalid value 13 = Missing 14 = Value not supported in this position 15 = Not supported in this position 16 = Too many constituents 18 = Unspecified error 21 = Invalid character(s) 22 = Invalid service character(s) 27 = Security function not supported 34 = Nesting indicator not allowed 35 = Too many segment repetitions 36 = Too many segment group repetitions This data element may be used to identify an error related to the complete segment.

Segment Notes:
This segment is used to identify the position of a segment within a message. This segment is only used to identify segments within the message identified in the UCM segment which have errors.

Example:
UCS+3+12'

5. Segments Layout

Segment number: 5

SG1	- C	999999 - UCM-SG2
SG2	- C	999 - UCS-UCD
UCD	- C	99 - Data element error indication

Function:

To identify an erroneous stand-alone, composite or component data element, and to identify the nature of the error.

		EDIFACT	GS1	*	Description
0085	Syntax error, coded	M an..3	M	*	9 = Mandatory data element missing (GS1 Temporary Code) 12 = Invalid value 13 = Missing 14 = Value not supported in this position 15 = Not supported in this position 16 = Too many constituents 18 = Unspecified error 19 = Invalid decimal notation 21 = Invalid character(s) 22 = Invalid service character(s) 27 = Security function not supported 34 = Nesting indicator not allowed 37 = Invalid type of character(s) 38 = Missing digit in front of decimal sign 39 = Data element too long 40 = Data element too short
S011	DATA ELEMENT IDENTIFICATION	M	M		
0098	Erroneous data element position in segment	M n..3	M		The numerical count position of the simple or composite data element in error. The segment tag and each simple and composite data element position number within the segment.
0104	Erroneous component data element position	C n..3	O		The numerical count position of the component data element in error. Each component data element position defined in the composite data element description shall cause the count to be incremented.
0136	Erroneous data element occurrence	C n..6	N		

Segment Notes:

This segment is used to identify the position of a component or composite data element within a segment. This segment is only used to identify component or composite data elements within the segment identified in the UCS segment which have errors.

Example:

UCD+12+4:4'

5. Segments Layout

Segment number: 6

UNT - M 1 - Message trailer					
Function: To end and check the completeness of a message.					
Notes: 1. 0062, the value shall be identical to the value in 0062 in the corresponding UNH segment.					
		EDIFACT	GS1	*	Description
0074	Number of segments in a message	M n..10	M		The total number of segments in the message is specified here.
0062	Message reference number	M an..14	M		The message reference numbered detailed here should equal the one specified in the UNH segment.
Segment Notes: This segment is a mandatory UN/EDIFACT segment. It must always be the last segment in the message.					
Example: UNT+6+ME000001'					

6. Examples

Example 1

The following is an example of a simple Syntax and Service Report message. The CONTRL message has a message reference number of ME004321.

The message is acknowledging the receipt of the interchange number 10001 sent by the party identified by GLN 5412345000013 to the party identified by GLN 5412345000020.

UNH+ME004321+CONTRL:D:3:UN:EAN004'	Message header
UCI+10001+5412345000013:14+5412345000020:14+8'	Message relates to interchange number 10001, sent from the party identified by GLN 5412345000013, sent to the party identified by GLN 5412345000020, the interchange is acknowledged as received
UNT+3+ME004321'	Total number of segments in the message equals 3

Example 2

The following is an example of a more detailed Syntax and Service Report message. The CONTRL message has a message reference number of ME00231.

The message is responding to the receipt of the interchange number 542 sent by the party identified by GLN 5412345000013 to the party identified by GLN 5412345000020.

An invoice message contained within the interchange is identified using its original message reference number, ME002341. The interchange (which contained only one message) is rejected along with the INVOIC message in the interchange because the DTM segment which should appear as segment number 3 is missing.

UNH+ME00231+CONTRL:D:3:UN:EAN004'	Message header
UCI+542+5412345000013:14+5412345000020:14+8'	Message relates to interchange number 542, sent from the party identified by GLN 5412345000013, sent to the party identified by GLN 5412345000020, the interchange is acknowledged as received
UCM+ME002341+INVOIC:D:01B:UN:EAN010+4'	Message number ME002341, an INVOIC message based on the EDIFACT D.01B directory and the EANCOM® version number 010, is rejected
UCS+3+13'	An error is reported in that segment number 3, which is mandatory, is missing
UNT+5+ME00231'	Total number of segments in the message equals 5

Note:

The EDI interchange will include the UNB..UNZ segments and, if applicable, the UNG..UNE segments. (See part 1 section 5.7).